

Enjoy *Design: Ethimo Studio*

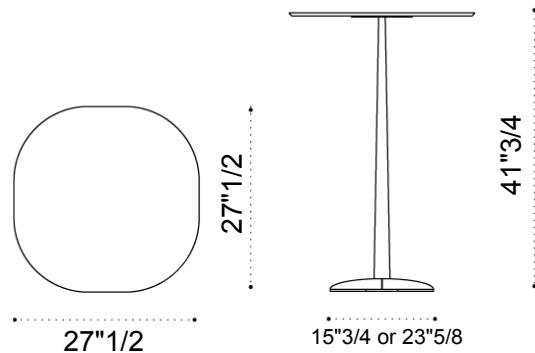


Description

The Enjoy High Table features a square top. The structure is crafted from powder-coated aluminum, available in Warm White, Warm Grey, Sepia Black, and Coffee Brown. The durable top is made of ceramic stone in finishes such as White, Black Vulcano, or Grey, providing exceptional weather resistance. Proudly Made in Italy

Dimensions

Size: 27"1/2W x 27"1/2D x 41"3/4H



Finishes and materials

Structure & Base: Aluminum with or without FSC ® Certified Teak Wood insert.
Top: Ceramic stone.