

Knit *Design: Patrick Norguet*



Description

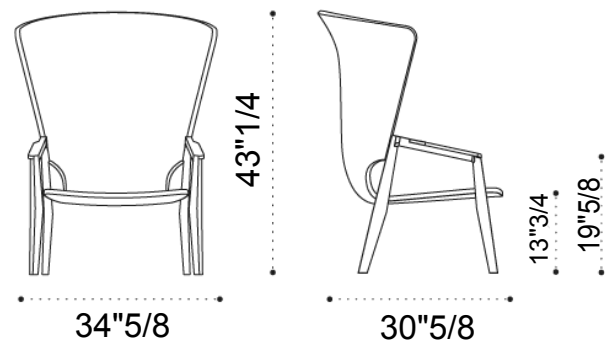
The Knit High-Back Lounge Chair features a robust FSC-certified natural or pickled teak frame, also available in a Stromboli black mahogany version. The wide seat and high back are hand-woven with high-density flat rope in Lava Grey or Light Grey, engineered for durability against UV rays and humidity. An optional polypropylene lumbar cushion is available for customized support. Proudly Made in Italy.

Dimensions

Size: 34"5/8W x 30"5/8D x 43"1/4H

Seat height: 13"3/4

Armrest height: 19"5/8



Finishes and materials

Structure: FSC ® Certified Teak Wood and flat rope.

Optional Cushion cover: Outdoor fabric.