

Knit *Design: Patrick Norguet*

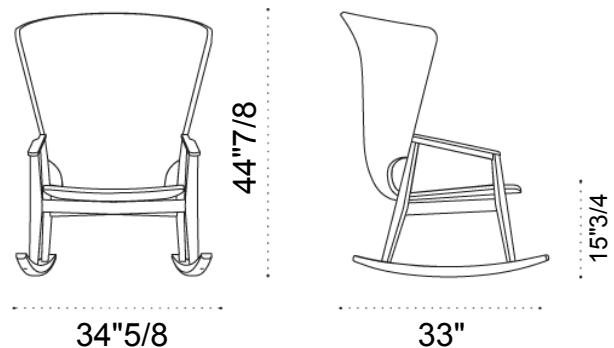


Description

The Knit Rocking Armchair features a high-back frame made from natural or pickled teak. The seat and backrest are hand-woven with high-density polypropylene flat rope, engineered for durability against UV rays and humidity. Optional lumbar cushions are available in nature-inspired shades to further enhance the ergonomic support. Proudly Made in Italy.

Dimensions

Size: 34"5/8W x 33"D x 44"7/8H
Seat height: 15"3/4



Finishes and materials

Structure: FSC ® Certified Teak Wood and flat rope.
Optional Cushion cover: Outdoor fabric.