

Knit *Design: Patrick Norguet*



Description

The Knit Dining Table structure and top are made from premium FSC-certified teak, available in two refined finishes: Natural Teak (T1) for a warm, organic feel, or Pickled Teak (T5) for a sophisticated, cool-toned grey aesthetic. Engineered to withstand the rigors of outdoor use while maintaining its refined silhouette, each table features a height of 30" for optimal ergonomic pairing with the collection's dining chairs. Proudly Made in Italy.

Dimensions

Square: 35"3/8W x 35"3/8D x 30"H

Round: Ø43"1/4 x 30"H

Rectangular A: 78"3/4W x 39"3/8D x 30"H

Rectangular B: 103"1/2W x 43"1/4D x 30"H

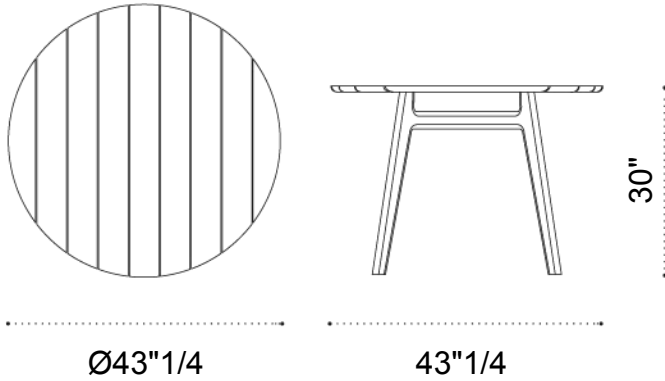
Finishes and materials

Structure & Top: FSC ® Certified Teak Wood.

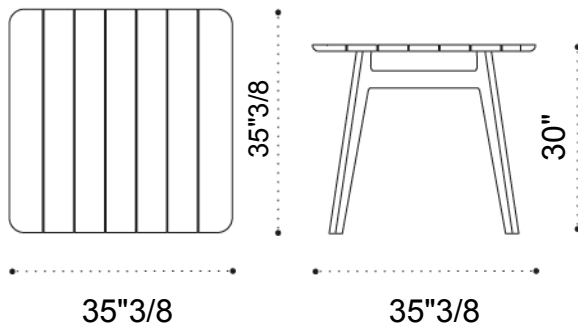
Knit

Dimensions

Round



Round



Rectangular

