

Swing *Design: Patrick Norguet*



Description

The Swing Ottoman is available in 6 sizes, consisting of three different diameters, each offered in two heights. The base is crafted from FSC-certified natural or pickled teak and powder-coated aluminum in Sepia Black or Warm White. The cushioned top is upholstered in high-performance waterproof fabrics like nature grey acrylic or black & white chess polypropylene, ensuring durability in both residential and contract environments. Proudly Made in Italy.

Dimensions

Size A: Ø15"3/4 x 15"H

Size B: Ø15"3/4 x 18"1/8H

Size C: Ø23"5/8 x 15"H

Size D: Ø23"5/8 x 18"1/8H

Size E: Ø55"1/8 x 15"H

Size F: Ø55"1/8 x 18"1/8H

Finishes and materials

Base & Seat Profile: Powder coated aluminum.

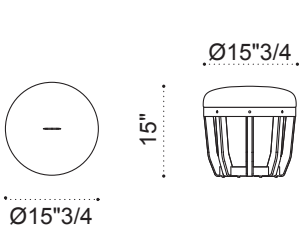
Structure: Natural or Pickled Teak.

Seat cover: Fabric

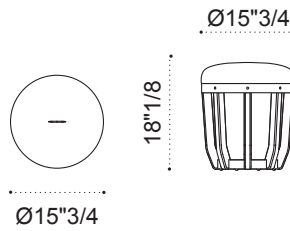
Swing

Dimensions

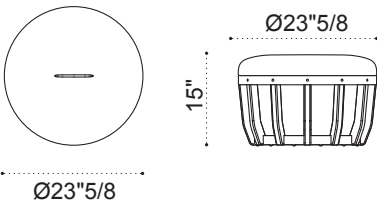
Size A



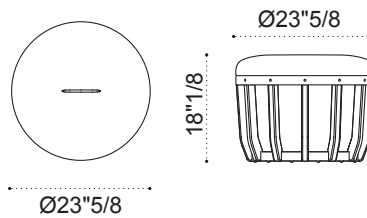
Size B



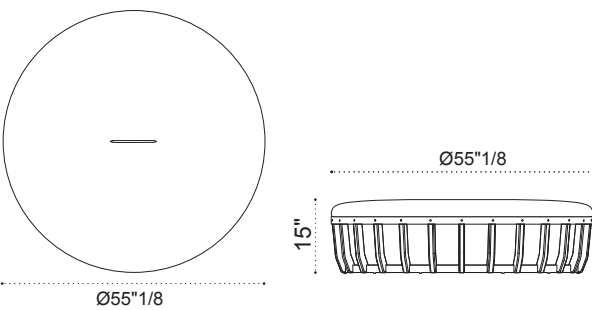
Size C



Size D



Size E



Size F

