

Andy

Design: Marconato & Zappa



Description

Structure:

1: Fir wood frame | 2: Plywood panels | 3: Springing with elastic belts type Intes Elasebelt 790/4 width 3"1/2 (90mm)

Structure padding:

4: Foamed polyurethane at differentiated densities T30-N e T75.

5: Coupled resin T1/sc 200 gr.

Cushion padding goose down type:

6: Back cushions in ORO goose down, with insert in differentiated density polyurethane foam T30 S and T21 SS covered with fine muslin.

7: Seat cushions in ORO goose down, with insert in differentiated density polyurethane foam T35 SM and T30 S covered with fine muslin.

Cushion padding polyurethane type:

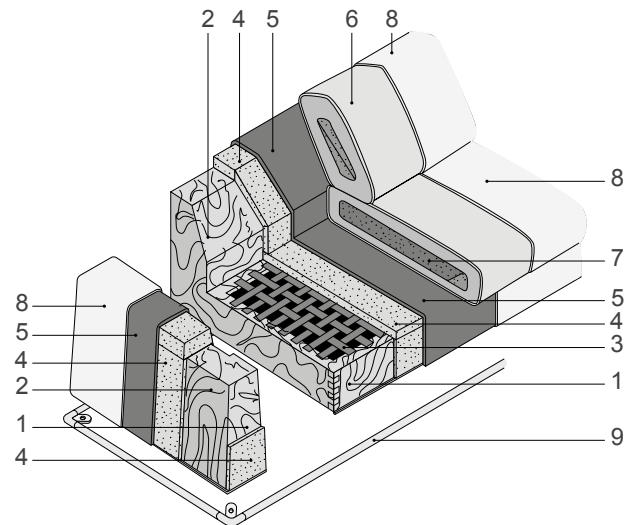
6: Back cushions in differentiated density polyurethane foam T30 S and T21 SS covered with Dacron fibre coupled with cotton fabric.

7: Seat cushions in differentiated density polyurethane foam T35 Sm and T30 S covered with Dacron fibre 400 gr coupled with cotton fabric.

Cover: Completely removable leather or fabric cover.

Finishing:

9: Extruded tubular aluminum frame with cast aluminum joints available in different finishes. Stands on the floor with retracted techno feet.



Andy

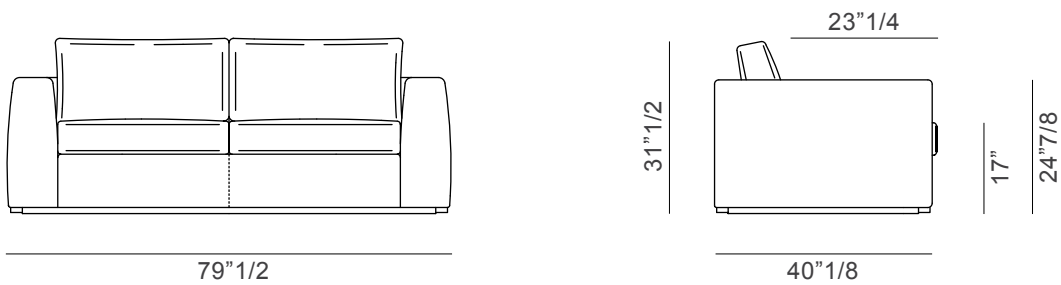
Dimensions

A: 79"1/2W x 40"1/8D x 31"1/2H

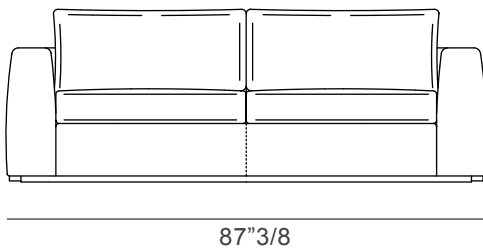
B: 87"3/8W x 40"1/8D x 31"1/2H

C: 95"1/4W x 40"1/8D x 31"1/2H

A



B



C

