

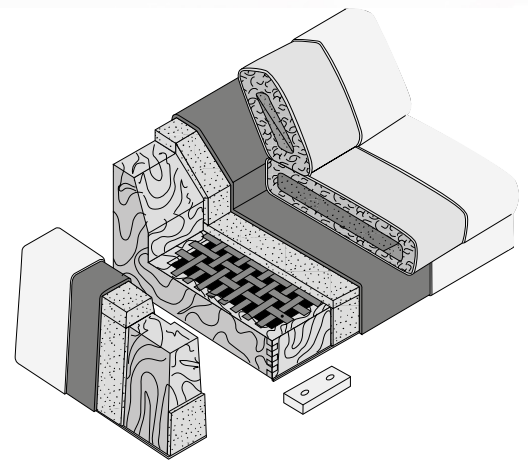
## Clay

*Design: Marconato & Zappa*



### *Description*

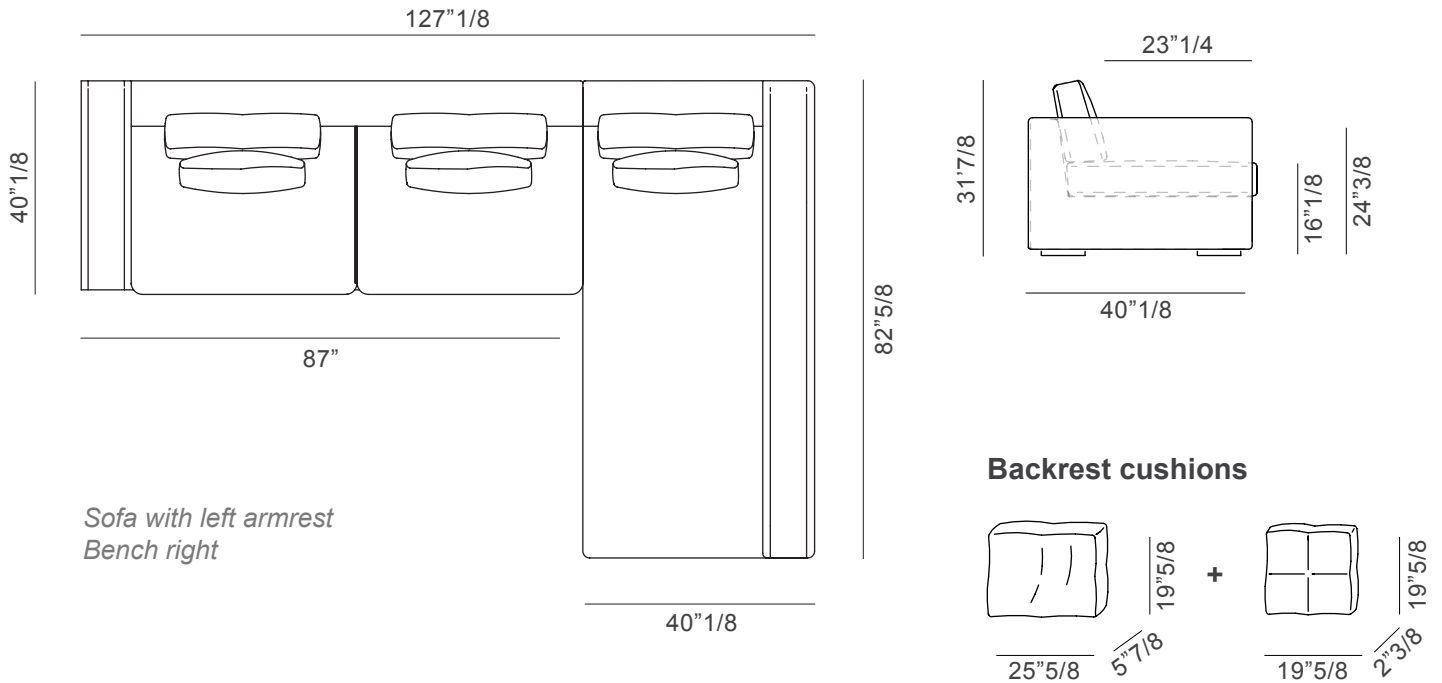
Sectional with frame made of fir wood and plywood panels, the spring support is obtained with interwoven elastic straps 3"1/2 (90mm) wide, covered with T25 and T40 differentiated density polyurethane foam and cotton cloth. Seat and backrest cushions padded with sterilized goose down with insert in T35 and T40 differentiated density polyurethane and covered in cotton ovoid leather, or T35 and T40 differentiated density polyurethane foam, covered with Dacron fiber coupled with cotton. One of the peculiarities of Clay is the possibility of choosing between standard (plain) or quilted seat cushions. Fully removable cover in the fabric version. In the leather version, only the cushions are removable. With contrasting piping. Base in stained Beech and ground support with felt. Made in Italy.



## Clay

### Suggested composition

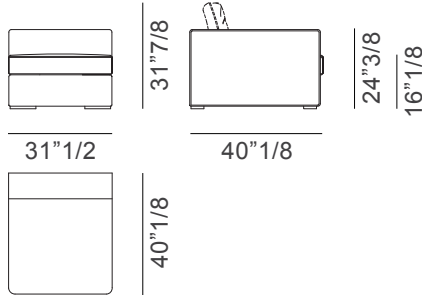
127"1/8W x 82"5/8D x 31"7/8H



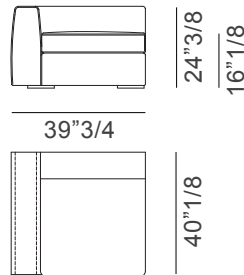
## Clay

### Modules available with standard (plain) seat

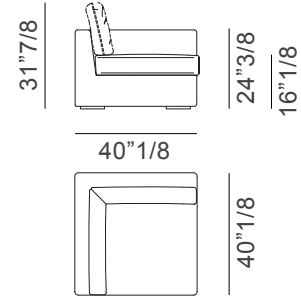
Central armchair



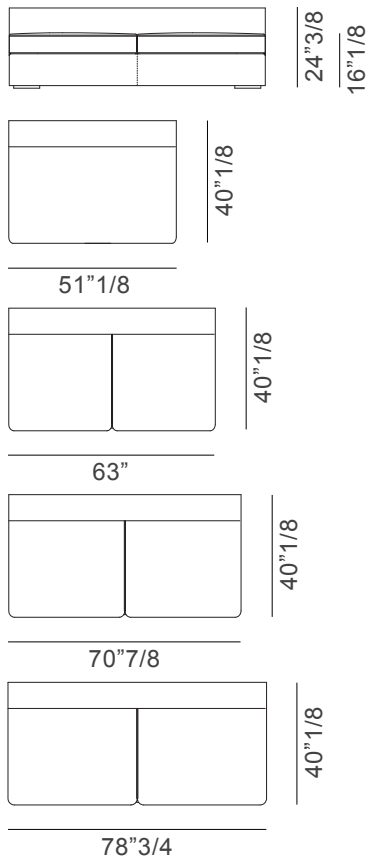
Armchair with left/right armrest



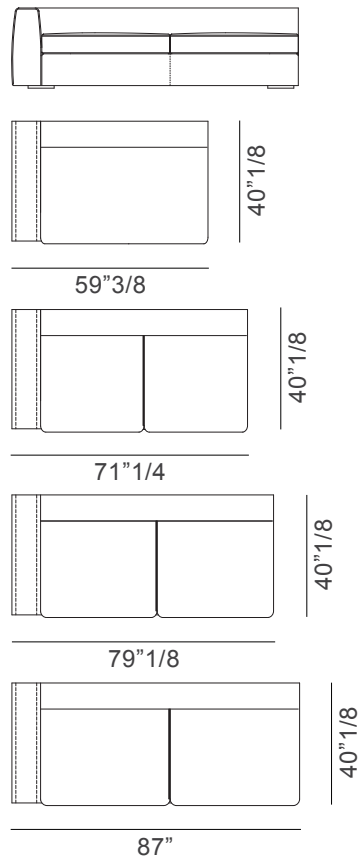
Right angle



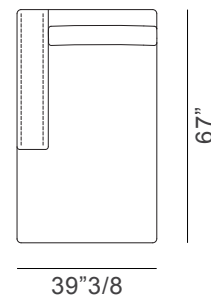
Central sofa



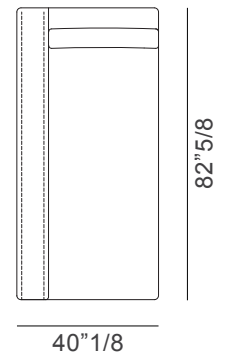
Sofa with left/right armrest



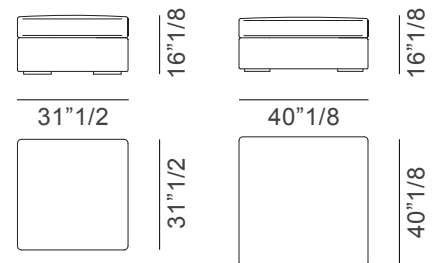
Chaise lounge with left/right armrest



Bench left/right



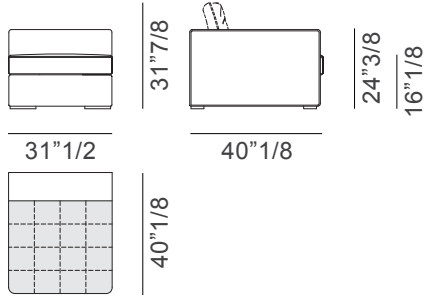
Ottoman



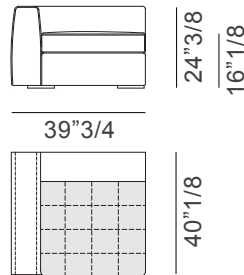
## Clay

### Modules available with quilted seat

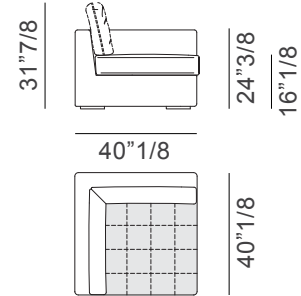
Central armchair



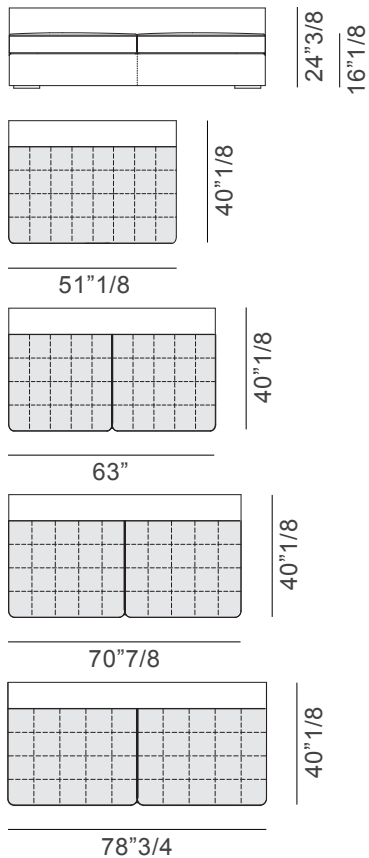
Armchair with left/right armrest



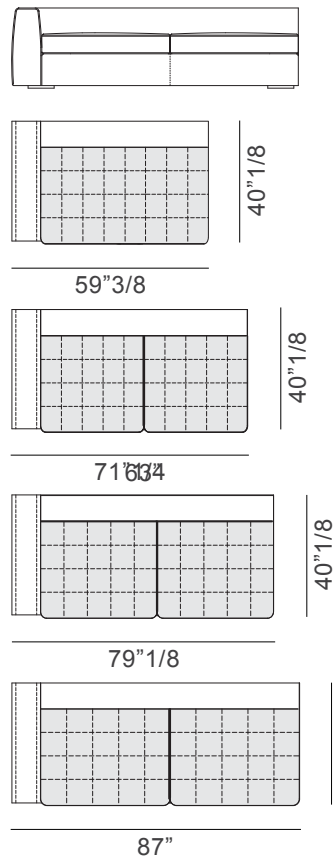
Right angle



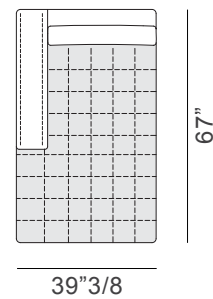
Central sofa



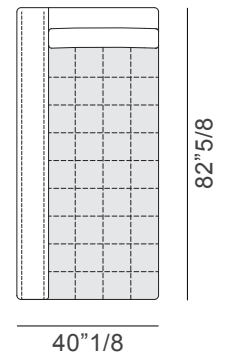
Sofa with left/right armrest



Chaise lounge with left/right armrest



Bench left/right



Ottoman

