

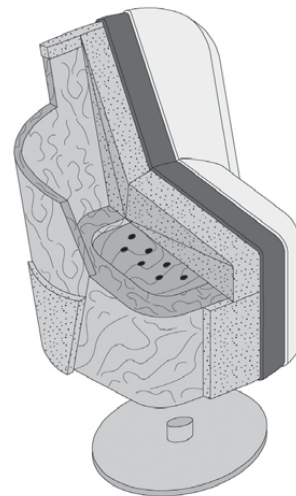
Cocoon

Design: Marconato & Zappa



Description

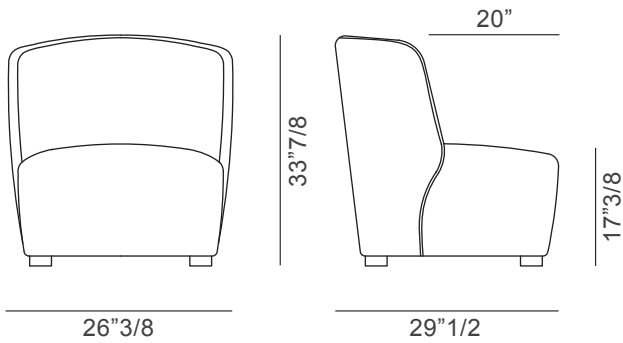
Lounge chair with bent multi-ply frame. Padding: seat in differentiated density polyurethane foam T40 - T40P - EM40 (KPA39), backrest in differentiated density polyurethane foam PF25SM - PF21SM - T40P - MPT95. Resin 100gr. coupled with velveteen. Completely removable cover in fabric or leather. Available in two versions: with wooden feet and with painted steel swivel base. Made in Italy.



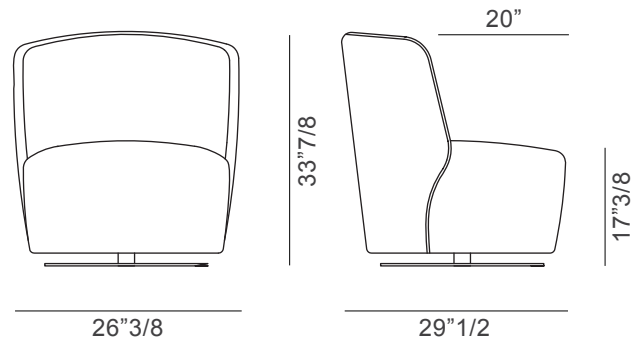
Cocoon

Dimensions

26"3/8W x 29"1/2D x 33"7/8H



With feet



With swivel base