

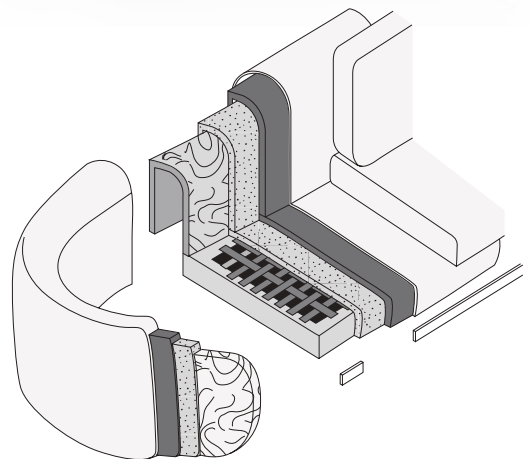
Fusion Bean

Design: Marconato & Zappa



Description

Sofa with structure in solid wood and curved multi-ply, with elastic webbing suspension. Seat and backrest padded with T40 and T25 differentiated density polyurethane foam, covered with 150gr/m2 resin coupled with velveteen. Non-removable cover available in fabric, leather and Nubuck with contrasting piping. The sofa comes in two versions, with base or with feet, made of stained or lacquered beech wood. Round decorative cushions available on demand. Made in Italy.



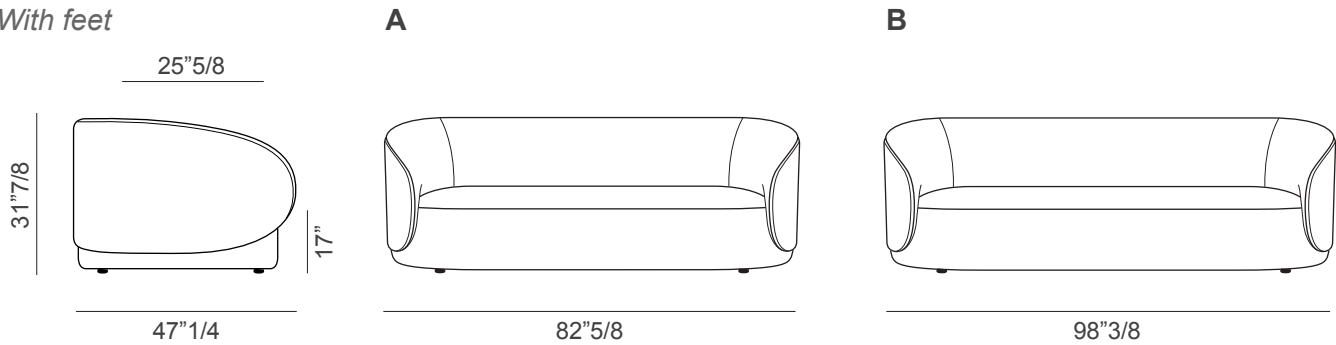
Fusion Bean

Dimensions

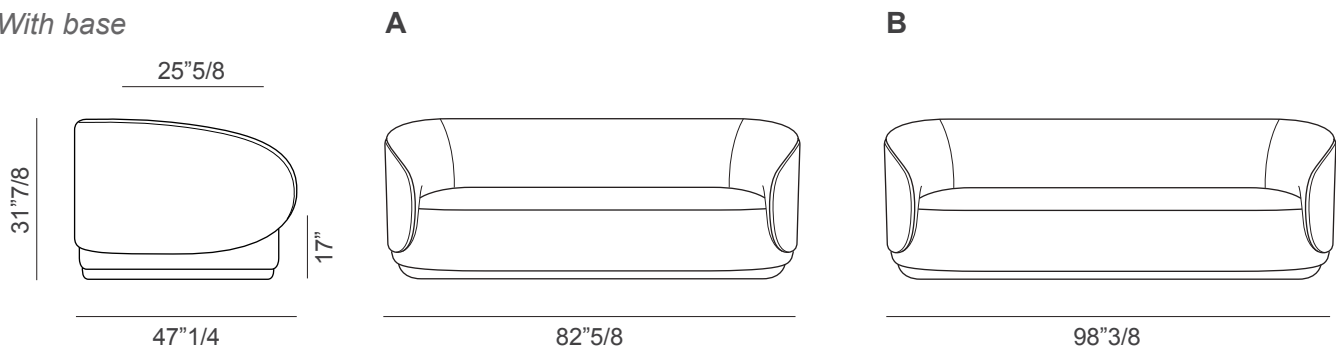
A: 82"5/8W x 47"1/4D x 31"7/8H

B: 98"3/8W x 47"1/4D x 31"7/8H

With feet



With base



Decorative cushions:

