

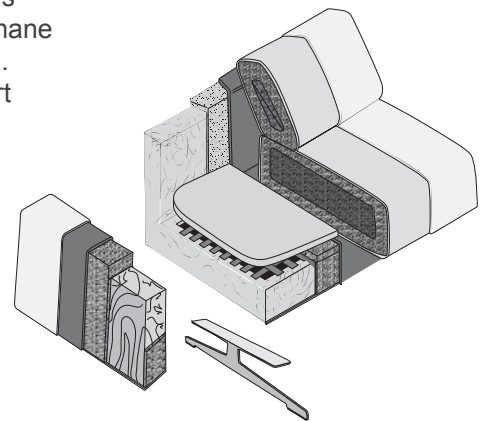
Ikon

Design: Marconato & Zappa



Description

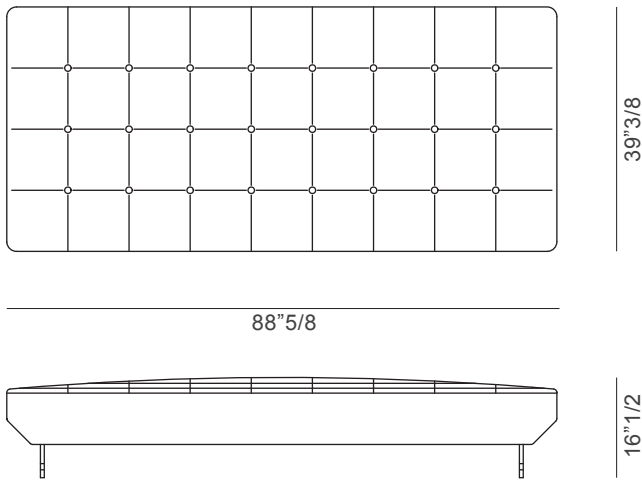
Chaise lounge with frame in fir wood and multi-ply panels. The support system is created using 3"1/2 (90 cm) wide interwoven elastic straps, covered in polyurethane with differentiated densities PF30 and T40 and 150g cotton cloth with velveteen. Quilted seat cushion padded with sterilized goose down with polyurethane insert with differentiated densities T30 and T40 and covered in cotton muslin. Polyurethane version: quilted seat cushion padded with polyurethane foam with differentiated density T30 and T40, covered with Dacron fibre coupled with cotton cloth. Cover available in fabrics or leathers as per collection. The fabric version is completely removable. Base in chrome-plated metal or painted, with ground support on tips with thermoplastic material. Separated backrest cushions available on demand. Available in the monobloc version, with a seat cushion created in one piece with the base. Also available with separate seat cushion. It is also possible to provide an additional profile (piping) for the backrest and armrests. Made in Italy.



Ikon

Dimensions

88"5/8W x 39"3/8D x 16"1/2H



Optional back cushion:
27"1/2W x 11"D x 14"1/8H

