

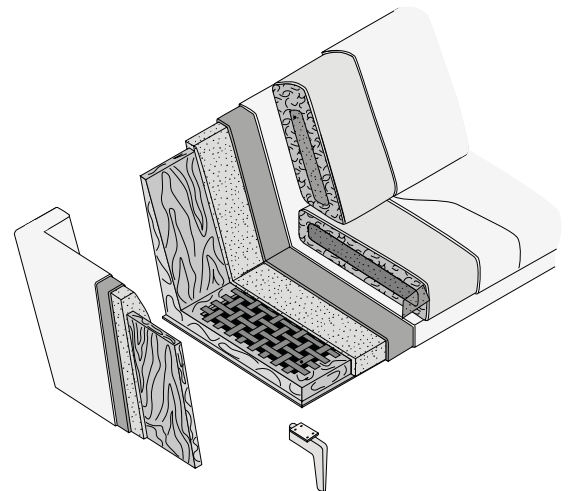
## Urban

*Design: Marconato & Zappa*



### *Description*

Sofa with structure composed of a fir wood frame, plywood panels and elastic webbing suspension (90mm wide, Intes Elsbelt 790/4). Padding in differentiated density polyurethane foam (PH 40 + SR 75 + SRE 30). Coupled resin T1/SC 200 gr. Down version: back cushions in goose down with insert (23 feathers + 30 E). Seat cushions in goose down with insert (30 SRE + PH 40). Polyurethane foam version: back cushions in differentiated density polyurethane foam (23 + 30), covered with Dacron coupled with cotton fabric. Seat cushions in differentiated density polyurethane foam (SRE 30 + PH 40). Fully removable cover available in fabric or leather. Aluminum feet available in various finishes. Decorative cushions available on demand. Made in Italy.



## Urban

---

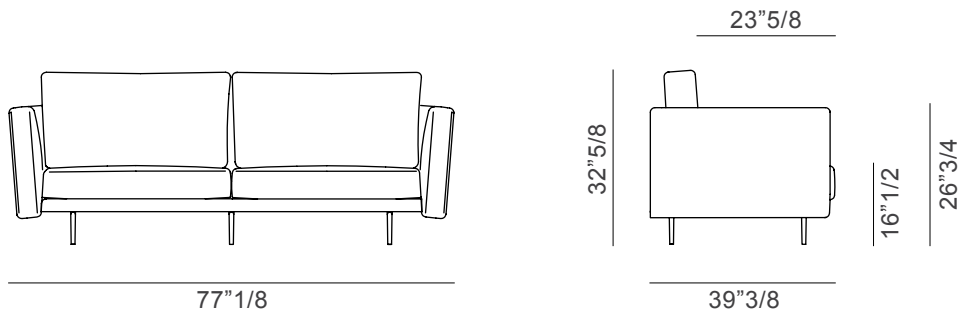
### Dimensions

**A:** 77"1/8W x 39"3/8D x 32"5/8H

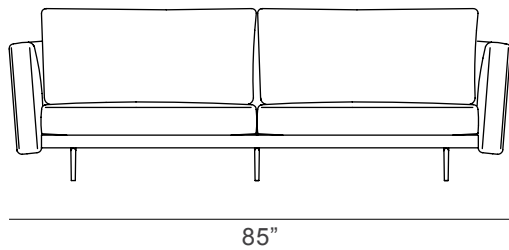
**B:** 85"W x 39"3/8D x 32"5/8H

**C:** 93"W x 39"3/8D x 32"5/8H

**A**



**B**



**C**

