

Lama

Design: R&D Dallagnese



Description

Lama nightstands belong to a versatile family designed to meet a wide range of functional and aesthetic needs. Their defining feature is a strong monolithic presence, emphasized by compact volumes, precise proportions, and a refined top available in elegant finishes. This architectural simplicity makes Lama a natural fit within contemporary bedroom settings.

The minimalist design is expressed through an extremely clean front, where the drawer appears to rest directly on the floor. In reality, the feet are cleverly concealed above the base, enhancing the sense of visual solidity and continuity. The absence of a visible storage frame reinforces the pure, uninterrupted surface, giving the piece a calm yet powerful identity.

A distinctive technical detail completes the design: the original opening system. Instead of traditional handles, Lama features a vertical metal groove profile positioned on both sides. This lateral groove allows the drawers to be opened effortlessly by inserting the fingers, preserving the front's essential look while ensuring everyday practicality. The result is a family of storage units that combines refined minimalism, intelligent detailing, and architectural clarity—ideal for high end bedroom furniture and modern interiors. Made in Italy.

Finishes & Materials

Top: Large stoneware slabs cut randomly, therefore not identical in the various top sizes. Or wooden particle-board panels in Matt/Glossy, Wood, Up Surface and Textured finishes.

Structure & Fronts: Wood particle-board panels, melamine laminated, lacquered or wood veneered and varnished.

Drawers: Wood particle-board panels with leather-effect melamine finish.

Easy-slide concealed metal runners, 66,14 lb (30 kg) dynamic load capacity. “Blumotion” soft closing mechanism with height adjustment system.

Opening: With side groove grip, fixed to the side panel, in epoxy powder-coated aluminum varnished in all the metal finishes.

Feet: Metal, concealed under the base. It allows a 3/8” height adjustment from the inner part of the unit.

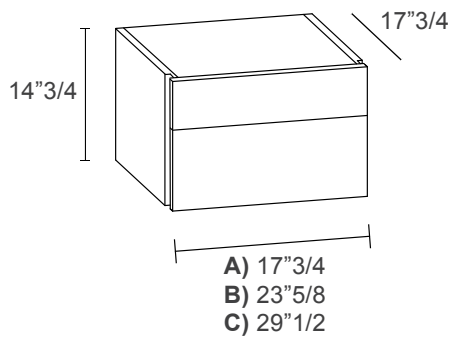
Lama

Dimensions

- A) 17"3/4W x 17"3/4D x 14"3/4H - Cod. LD037044
- B) 23"5/8W x 17"3/4D x 14"3/4H - Cod. LD037064
- C) 29"1/2W x 17"3/4D x 14"3/4H - Cod. LD037074
- D) 17"3/4W x 17"3/4D x 17"3/4H - Cod. LD045044 / Cod. LG045044
- E) 23"5/8W x 17"3/4D x 17"3/4H - Cod. LD045064 / Cod. LG045064
- F) 29"1/2W x 17"3/4D x 17"3/4H - Cod. LD045074 / Cod. LG045074

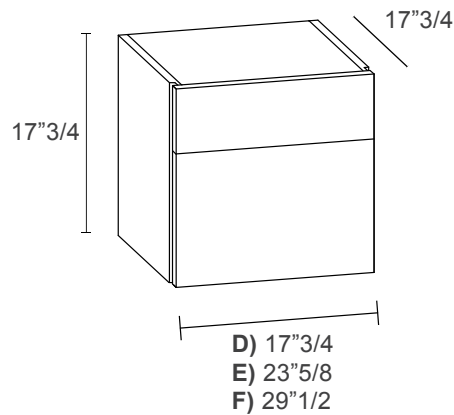
2 drawers

- A) Cod. LD037044
- B) Cod. LD037064
- C) Cod. LD037074



1 drawer & 1 deep drawer

- D) Cod. LD045044
- E) Cod. LD045064
- F) Cod. LD045074



3 drawers

- D) Cod. LG045044
- E) Cod. LG045064
- F) Cod. LG045074

