

Ronda

Design: R&D Dallagnese



Description

The Ronda dresser stands out for its soft, contemporary design language, defined by rounded volumes and a refined monolithic presence. Its structure features a continuous curved section and a slightly lowered top, whose rounded profile subtly overhangs the surface to create an elegant tray effect. This design detail enhances both aesthetics and functionality, providing a secure surface for small objects while helping prevent accidental falls. The geometry of the top naturally facilitates the opening of the upper drawer, ensuring ergonomic use without compromising visual purity. The remaining drawers are equipped with a push-pull opening system, reinforcing the clean, handle-free appearance that defines this piece. The result is a dresser that embodies modern Italian design, combining visual lightness with solid craftsmanship.

The Ronda dresser can be configured with a low wooden plinth, which extends the continuity of its rounded lines and is available in the full range of Dallagnese finishes, or with metal feet, an option that deliberately breaks the monolithic effect and introduces a lighter, more architectural feel. This versatility makes the Ronda dresser an ideal choice for interiors furnished with high-end contemporary and luxury Italian furniture. Made in Italy.

Finishes & Materials

Top: Large stoneware slabs cut randomly (therefore not identical in the various top sizes), wooden particle-board panels in Matt/Glossy, Wood and Stoneware, or Tempered Glass with mirror finishes.

Structure & Fronts: Curved plywood with wood veneered and varnished or with lacquered polyester base.

Back: Wood particle-board panels, melamine laminated.

Drawers: Wood particle-board panels with leather-effect melamine finish. Easy-slide concealed metal runners, 66,14 lb (30 kg) dynamic load capacity. Push-pull closing mechanism with height and depth adjustment system.

Opening: Push-pull mechanism, except for the top drawer which can be opened by means of an upper grip.

Base: Foot made of epoxy powder-coated metal or plinth base made of medium-density wood particle-board panels, melamine laminated.

Ronda

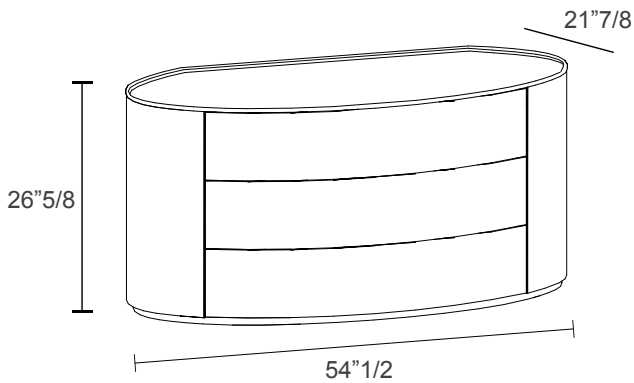
Dimensions

A) 54"1/2W x 21"7/8D x 26"5/8H - Cod. RG067135

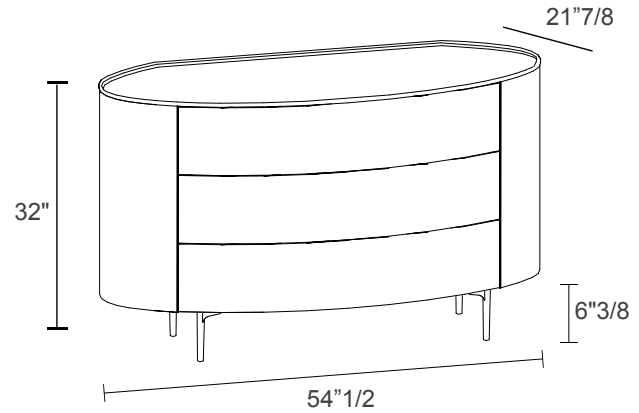
B) 54"1/2W x 21"7/8D x 32"H - Cod. RG081135

C) Ø21"7/8 x 43"H - Cod. RO090055

A) 3 drawers with plinth base



B) 3 drawers with feet



C) Tall Boy Dresser - 5 drawers with plinth base

