

## Ronda

*Design: R&D Dallagnese*



### *Description*

The Ronda nightstand translates the same design concept into a more compact scale, preserving the sculptural identity and formal coherence of the collection. Its softly rounded structure is paired with a slightly lowered top that gently protrudes, creating a practical tray-like surface. This feature is ideal for everyday objects, offering both convenience and protection thanks to its subtly raised perimeter.

The shape of the top enables an intuitive and ergonomic opening of the upper drawer, while the lower drawers operate with a push-pull system that maintains the nightstand's clean and minimalist appearance. Every detail contributes to a balanced aesthetic rooted in modern Italian craftsmanship and understated elegance.

Available with a wooden plinth that follows the continuity of the curved lines and can be finished in a wide range of options, or with metal feet that add visual contrast and lightness, the Ronda nightstand adapts effortlessly to refined interiors. It is a versatile piece suited to spaces defined by modern luxury furniture and contemporary design sensibilities. Made in Italy.

### *Finishes & Materials*

**Top:** Large stoneware slabs cut randomly (therefore not identical in the various top sizes), wooden particle-board panels in Matt/Glossy, Wood and Stoneware, or Tempered Glass with mirror finishes.

**Structure & Fronts:** Curved plywood with wood veneered and varnished or with lacquered polyester base.

**Back:** Wood particle-board panels, melamine laminated.

**Drawers:** Wood particle-board panels with leather-effect melamine finish. Easy-slide concealed metal runners, 66,14 lb (30 kg) dynamic load capacity. Push-pull closing mechanism with height and depth adjustment system.

**Opening:** Push-pull mechanism, except for the top drawer which can be opened by means of an upper grip.

**Base:** Foot made of epoxy powder-coated metal or plinth base made of medium-density wood particle-board panels, melamine laminated.

## Ronda

### Dimensions

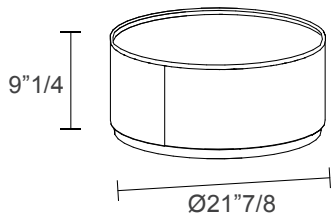
A)  $\text{Ø}21\frac{7}{8}$  x  $9\frac{1}{4}$ H - Cod. RA023055

B)  $\text{Ø}21\frac{7}{8}$  x  $18\frac{1}{2}$ H - Cod. RA047055

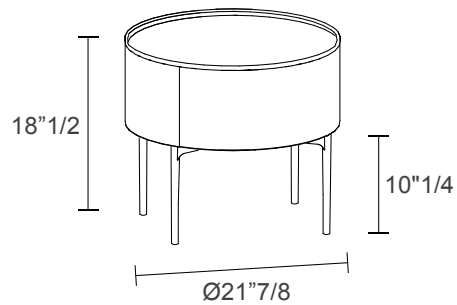
C)  $\text{Ø}21\frac{7}{8}$  x  $17\frac{3}{4}$ H - Cod. RC045055

D)  $\text{Ø}21\frac{7}{8}$  x  $23\frac{1}{4}$ H - Cod. RC059055

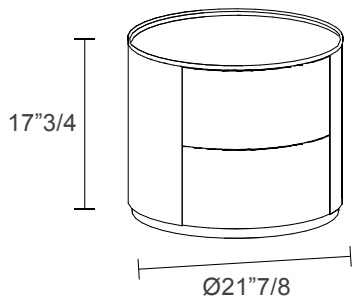
A) 1 drawer with plinth base



B) 1 drawer with feet



C) 2 drawers with plinth base



D) 2 drawers with feet

