

Supernova

Design: Signorotto + Partners



Description

The Supernova dresser translates the collection's distinctive design language into a larger and more expressive storage solution. Linear drawer units with precise 45° joints define the composition, highlighting craftsmanship and clean proportions. These volumes are framed and supported by the signature painted metal rod structure, which rises along the sides and visually contains the drawers with a sculptural yet lightweight presence.

The contrast between the softness of the rounded metal base and the sharp definition of the drawer fronts creates a balanced and sophisticated aesthetic. Offered in a range of finishes, the metal frame reinforces the dresser's identity while allowing it to adapt seamlessly to different interior styles.

As part of the modular Supernova system by Signorotto+Partners, the dresser offers extensive compositional freedom. It can be configured with drawers of varying sizes, open compartments, and alternative tops, resulting in ever-changing yet harmonious arrangements. This flexibility positions the Supernova dresser as an ideal element within settings defined by high end living room furniture, contemporary furniture, and modern luxury bedroom furniture, where customization and design continuity are key. Made in Italy.

Finishes & Materials

Top, Structure and Fronts: Wood particle-board panels, melamine laminated, lacquered or wood veneered and varnished.

Drawers: Wood particle-board panels with leather-effect melamine finish. Easy-slide concealed metal runners with 66,14 lb (30 kg) dynamic load capacity.

Opening: Push-pull closing mechanism with height and depth adjustment system.

Base: Epoxy powder-coated metal varnished in all metal finishes.

Please note: In the wooden version, the open compartment is Lacquered in a matching finish. In the Glossy Lacquered and UP Surface modules, the open compartment is Matt Lacquered in a matching finish.

Supernova

Dimensions

A) 49"1/4W x 21"5/8D x 29"1/2H - Cod. NL075125

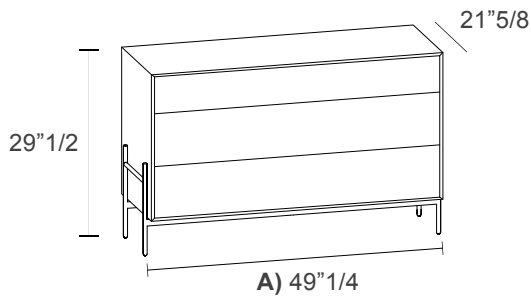
B) 61"W x 21"5/8D x 29"1/2H - Cod. NL175155

C) 19"5/8W x 17"3/4D x 50"1/8H - Cod. NP092054 / Cod. NP292054

D) 25"5/8W x 17"3/4D x 50"1/8H - Cod. NP092064

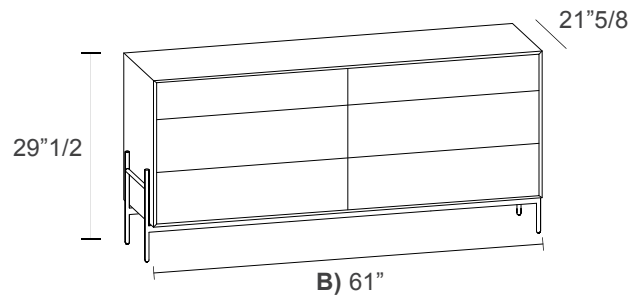
3 drawers

A) Cod. NL075125



6 drawers

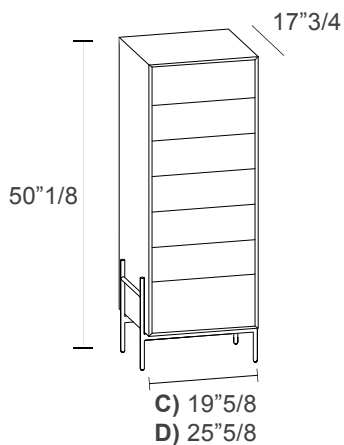
B) Cod. NL175155



Tall boy dresser 7 drawers

C) Cod. NP092054

D) Cod. NP092064



Tall boy dresser 6 drawers

+ 1 open compartment

C) Cod. NP292054

