

Supernova

Design: Signorotto + Partners



Description

The Supernova nightstand is defined by the refined contrast between linear storage volumes and the collection's unmistakable painted metal rod base. The drawers feature clean, linear geometries with elegant 45° joints, emphasizing precision and formal clarity. These storage elements are visually embraced by the metal frame, which rises along the sides, becoming an integral and recognizable design feature. The distinctive base, characterized by the soft, rounded lines of the metal rod, introduces a sense of lightness that balances the rigor of the drawer geometry. Available in a variety of refined finishes, the metal structure enhances the nightstand's architectural identity while maintaining a visually light and contemporary presence.

Part of the broader Supernova family, designed by Signorotto+Partners, the nightstand reflects a design approach rooted in rich modularity. It allows for multiple configurations through the combination of drawers, open units, and different top options, ensuring versatility without sacrificing aesthetic coherence. This adaptability makes the Supernova nightstand a natural fit for interiors furnished with contemporary furniture and modern luxury bedroom furniture, where design precision and flexibility are essential. Made in Italy.

Finishes & Materials

Top, Structure and Fronts: Wood particle-board panels, melamine laminated, lacquered or wood veneered and varnished.

Drawers: Wood particle-board panels with leather-effect melamine finish. Easy-slide concealed metal runners with 66,14 lb (30 kg) dynamic load capacity.

Opening: Push-pull closing mechanism with height and depth adjustment system.

Base: Epoxy powder-coated metal varnished in all metal finishes.

Please note: In the wooden version, the open compartment is Lacquered in a matching finish. In the Glossy Lacquered and UP Surface modules, the open compartment is Matt Lacquered in a matching finish.

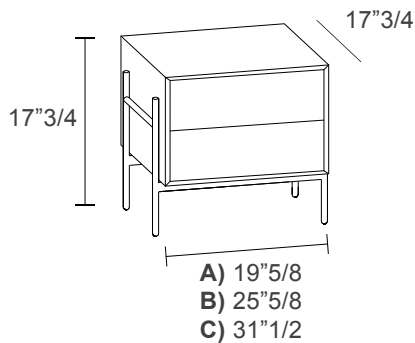
Supernova

Dimensions

- A) 19"5/8W x 17"3/4D x 17"3/4H - Cod. NC045054 / Cod. NA245054
- B) 25"5/8W x 17"3/4D x 17"3/4H - Cod. NC045064 / Cod. NA245064
- C) 31"1/2W x 17"3/4D x 17"3/4H - Cod. NC045084
- D) 19"5/8W x 17"3/4D x 20"5/8H - Cod. NA252054 / Cod. ND052054
- E) 25"5/8W x 17"3/4D x 20"5/8H - Cod. NA252064 / Cod. ND052064
- F) 31"1/2W x 17"3/4D x 20"5/8H - Cod. ND052084
- G) 19"5/8W x 17"3/4D x 23"5/8H - Cod. NG260054
- H) 25"5/8W x 17"3/4D x 23"5/8H - Cod. NG260064
- I) 31"1/2W x 17"3/4D x 23"5/8H - Cod. NG260084

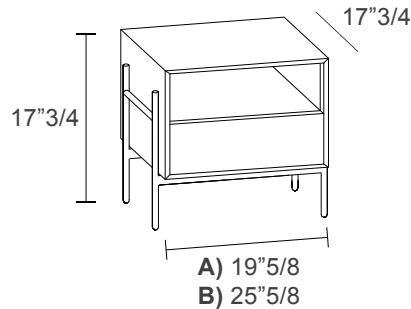
2 drawers

- A) Cod. NC045054
- B) Cod. NC045064
- C) Cod. NC045084



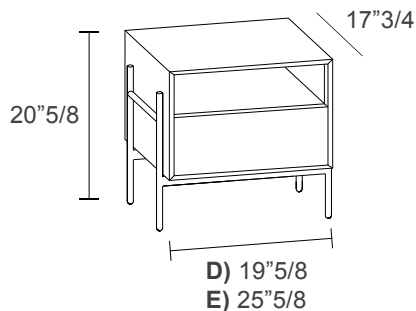
1 drawer + 1 open compartment

- A) Cod. NA245054
- B) Cod. NA245064



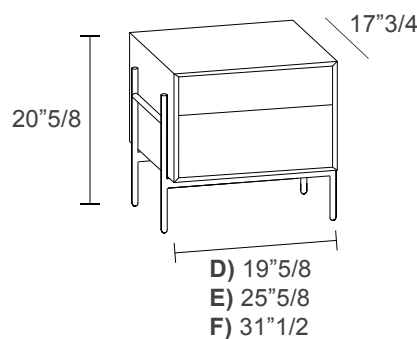
1 drawer + 1 open compartment

- D) Cod. NA252054
- E) Cod. NA252064



2 drawers

- D) Cod. ND052054
- E) Cod. ND052064
- F) Cod. ND052084



2 drawers + 1 open compartment

- G) Cod. NG260054
- H) Cod. NG260064
- I) Cod. NG260084

