

Oblò

Design: Paola Navone - OTTO Studio



Description

Oblò is a suspension lamp with a strong decorative identity, available in elegant compositions of three or five pendants. These configurations express Lodes' expertise in modular lighting combined with the distinctive vision of Paola Navone – OTTO Studio. Inspired by the sea and the nautical world, Oblò reshapes Pyrex glass into fluid, buoy-like forms that appear to float lightly in space. Each pendant is supported by a hook-shaped frame that discreetly integrates the LED source, while the white fabric-covered cable conceals the electrical wiring, leaving the glass visually unobstructed. The three- and five-pendant versions can be configured in a single finish for a clean, graphic look, or with a mix of colors and sizes to create more dynamic compositions.

Available in three soft shapes and five marine-inspired finishes: iridescent, metallic blue, silk white, smoky grey, and transparent, Oblò allows installations at different heights to introduce rhythm and movement above tables, islands, or living areas. The configurations shown are only a selection, with many additional combinations available upon request. Made in Italy.

IP20. CE and ETL Certification. Energy efficiency D.
Dimmable TRIAC. MacAdam 3-Step.
LED and driver included.

Oblò

Dimensions

SMALL SIZE: Ø8"1/4 x 9"5/8H

MEDIUM SIZE: Ø8"1/8 x 11"5/8H

LARGE SIZE: Ø9"5/8H x 13"5/8H

Adjustable cable, max. suspension 157"1/2

Canopy 3 pendants: Ø15" x 1"5/8

Canopy 5 pendants: Ø15" x 1"5/8

Mounts directly to a 4" Standard J-Box
Driver included.

Composition A - 3 Pendants: 1 small, 1 medium, 1 large

Composition B - 5 Pendants: 2 small, 2 medium, 1 large

Composition C - 5 Pendants: 1 small, 2 medium, 2 large

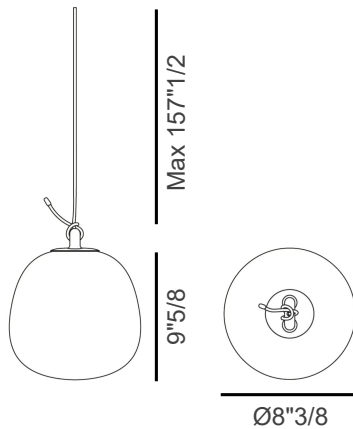
Composition D - 5 Pendants: 1 small, 2 medium, 2 large

Light Source

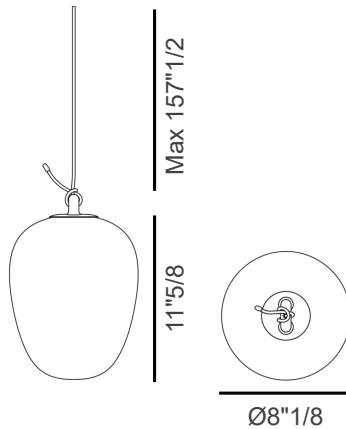
LED x 4W – 480 Lm – 3000 °K – CRI 90

Led included.

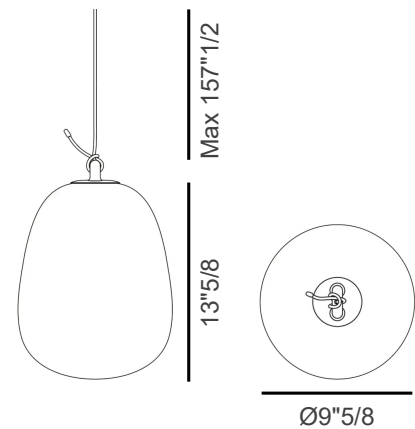
SMALL SIZE



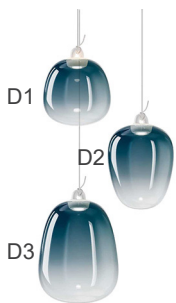
MEDIUM SIZE



LARGE SIZE

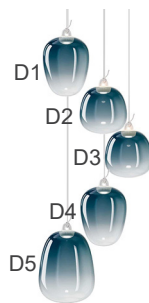


COMPOSITION A



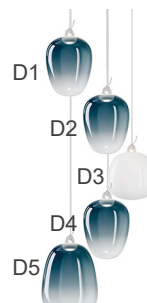
D1: Small
D2: Medium
D3: Large

COMPOSITION B



D1: Medium
D2: Small
D3: Small
D4: Medium
D5: Large

COMPOSITION C



D1: Medium
D2: Medium
D3: Small
D4: Medium
D5: Large

COMPOSITION D



D1: Medium
D2: Medium
D3: Large
D4: Small
D5: Large