

Basilica

Design: Baldessari e Baldessari



Description

Basilica is a pendant lamp defined by a symmetrical form inspired by classical architecture and the parallel wings of Andrea Palladio's Basilica in Vicenza. Two balanced elements shape an architectural presence, enhanced by double light emission that distributes light both upwards and downwards for optimal visual comfort.

Equipped with linear bi-emission LED modules, Basilica ensures uniform illumination while offering acoustic comfort through sound-absorbing fabric side elements available in velvet, wool or For Nature finishes. A matt black metal structure with chromed details and a thermoformed anti-glare white methacrylate element completes the design, uniting architectural inspiration, visual harmony and wellbeing. Made in Italy.

Uplight and downlight: Up 2690 Lm - Down 5380 Lm

Lightbulbs not included.

Acoustic comfort. Sound absorbing

IP20. Uplight and downlight.

CE Certified. Wiring system with ETL on demand.

Basilica

Dimensions

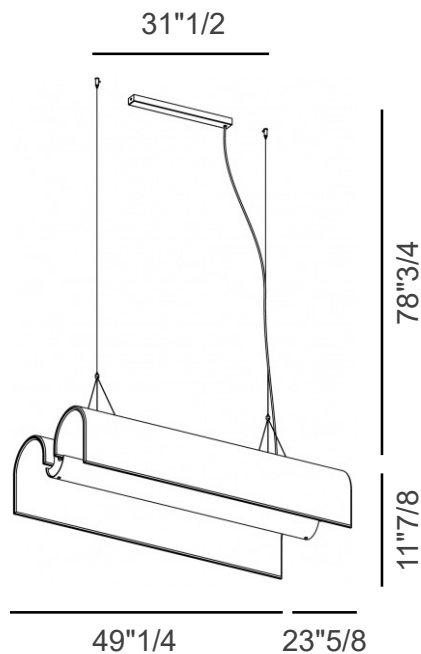
L 125 & L 125 Ball: 49"1/4W x 23"5/8D x 11"7/8H (Cable: 78"3/4)

Light Source

L 125: 2 linear modules 48W, luminous efficacy 8070 Lm, light color 3000 °K.
Uplight and downlight: Up 2690 Lm - Down 5380 Lm

L 125 Ball: 4x E26 + 2x GU10 max watt 4 x 42W HES + 2 x 42W HES. Light bulbs not included.
Uplight and downlight: Up 2690 Lm - Down 5380 Lm

L 125



L 125 Ball

