

Gregory

Design: Alfredo Chiaramonte



Description

Versatility takes form in this lighting system, built around a lightweight metal structure designed to support a wide range of compositions. Adaptable to diverse settings, from residential interiors to contract environments, it offers flexible lighting solutions that respond to different spatial needs. The fabric lampshade, available in Kvadrat, wool or cotton, introduces softness and acoustic comfort, while the metal structure in black or white defines a clean, contemporary profile. Designed by Alfredo Chiaramonte, this collection combines functionality, adaptability and refined design. Made in Italy.

Lightbulbs not included. IP20
CE Certified. Wiring system with ETL on demand.

Gregory

Dimensions

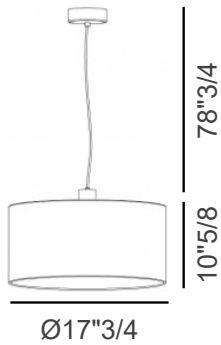
SINGLE: $\text{Ø}17\frac{3}{4}$ x $10\frac{5}{8}$ H (Cable $78\frac{3}{4}$)

L 140: $55\frac{1}{8}$ W x $10\frac{5}{8}$ H (Cable $78\frac{3}{4}$)

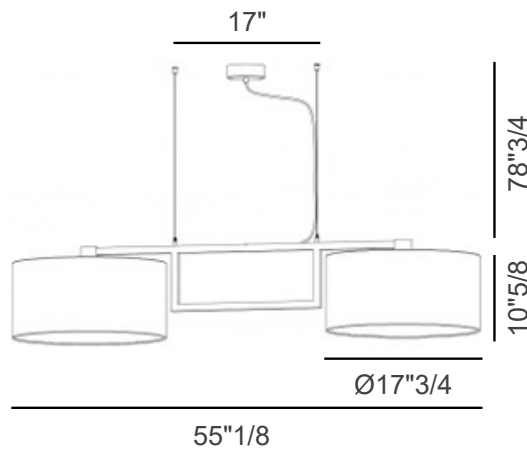
L 165: 65 W x $10\frac{5}{8}$ H (Cable $78\frac{3}{4}$)

L 235: $92\frac{1}{2}$ W x $10\frac{5}{8}$ H (Cable $78\frac{3}{4}$)

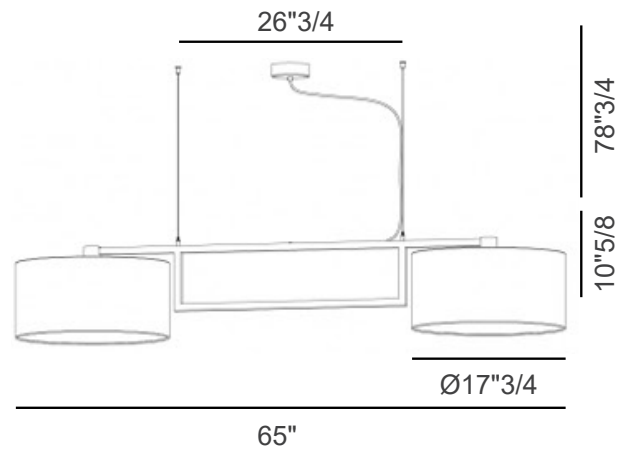
SINGLE



L 140



L 165



L 235

