

Capri Table

Design: Santiago Sevillano



Description

The modern Capri Table is a round table with a powder-coated 304 steel base and decorative details in round searope. The distinctive rope decoration that wraps around the structure gives the table a unique and striking design, complemented by a round HPL top that evokes refined and distant inspirations. Suitable for both indoor and outdoor use, it fits perfectly in residential and contract settings.

Finishes & Materials

Structure: Metal

Top: HPL

Details: Searope

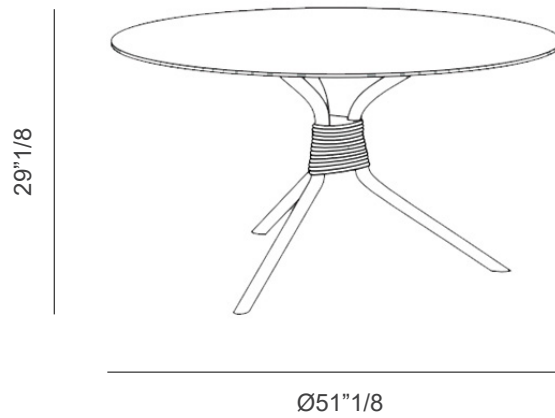
Capri Table

Sizes

Size A: Ø51"1/8 x 29"1/8H

Size B: Ø59 x 29"1/8H

Size A



Size B

