

Lipari Table

Design: Antonio de Marco



Description

The modern Lipari Table is a rectangular dining table featuring a powder-coated 304 stainless steel base and an HPL top. The new white and graphite finishes highlight its essential, contemporary design, with color options that strongly recall an outdoor aesthetic. Thanks to the quality of its materials, the Lipari Table is suitable for both outdoor and indoor use, making it ideal for residential and contract settings.

Finishes & Materials

Legs: Metal
Top: HPL

Lipari Table

Sizes

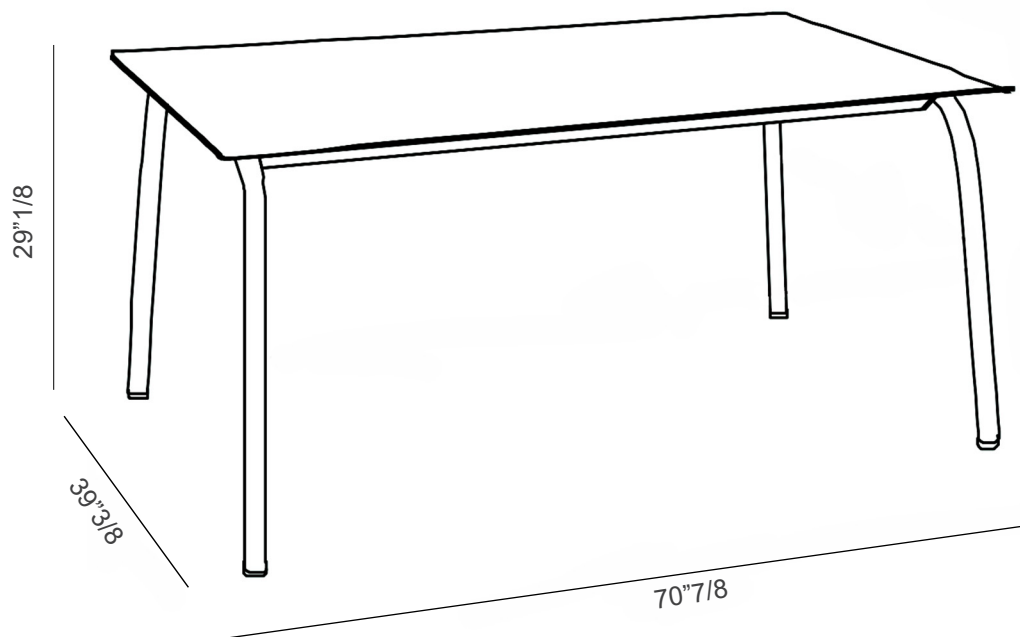
Size A: 70"7/8W x 39"3/8D x 29"1/8H

Size B: 86"5/8W x 43"1/4D x 29"1/8H

Size C: 102"3/8W x 43"1/4D x 29"1/8H

Size D: 118"1/8W x 43"1/4D x 29"1/8H

Size A



Lipari Table

Sizes

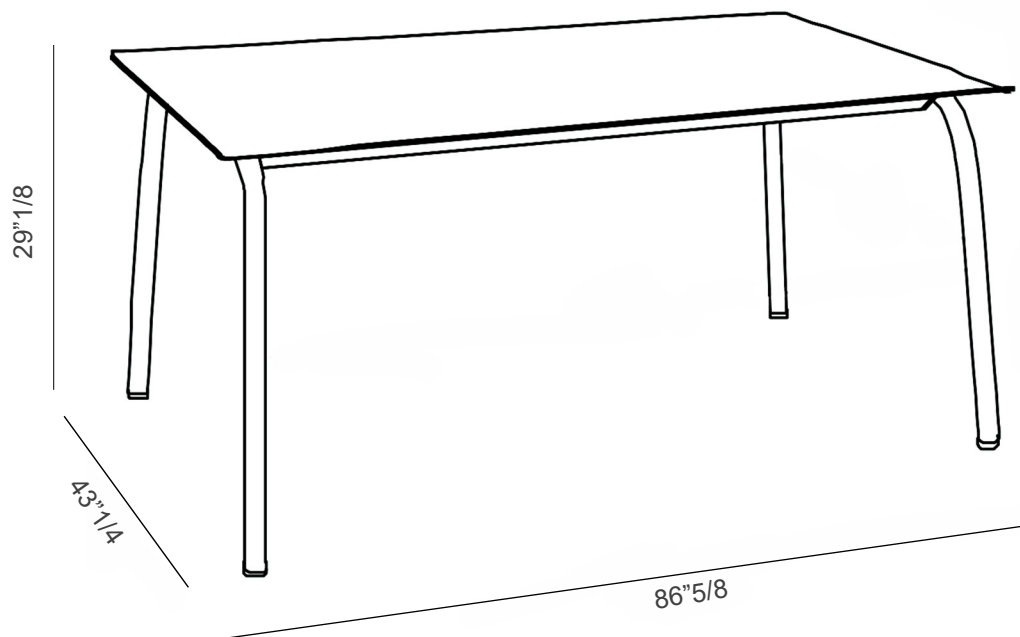
Size A: 70"7/8W x 39"3/8D x 29"1/8H

Size B: 86"5/8W x 43"1/4D x 29"1/8H

Size C: 102"3/8W x 43"1/4D x 29"1/8H

Size D: 118"1/8W x 43"1/4D x 29"1/8H

Size A



Lipari Table

Sizes

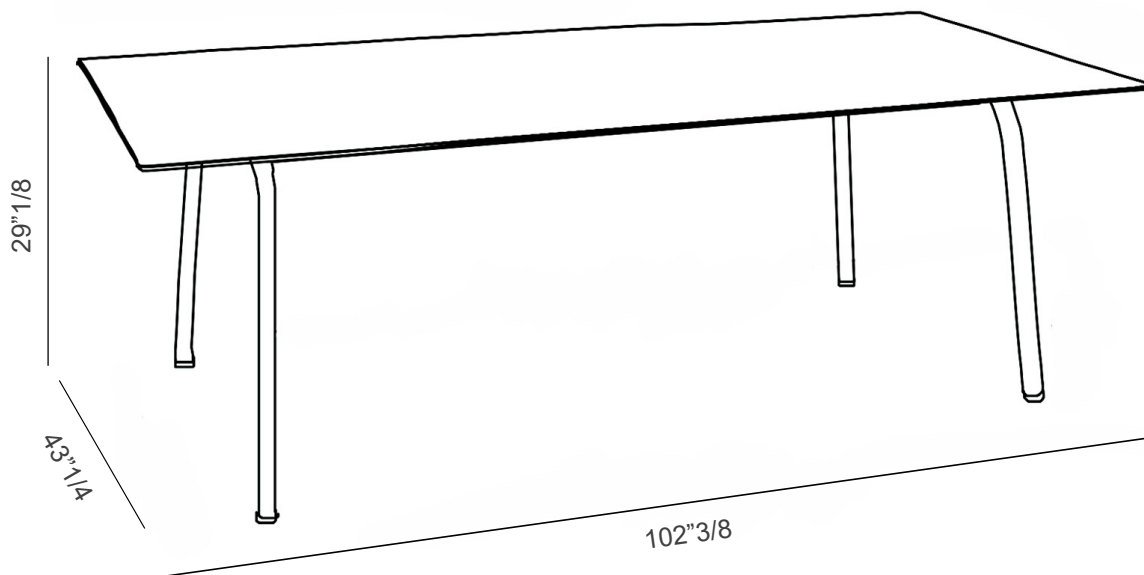
Size A: 70"7/8W x 39"3/8D x 29"1/8H

Size B: 86"5/8W x 43"1/4D x 29"1/8H

Size C: 102"3/8W x 43"1/4D x 29"1/8H

Size D: 118"1/8W x 43"1/4D x 29"1/8H

Size C



Lipari Table

Sizes

Size A: 70"7/8W x 39"3/8D x 29"1/8H

Size B: 86"5/8W x 43"1/4D x 29"1/8H

Size C: 102"3/8W x 43"1/4D x 29"1/8H

Size D: 118"1/8W x 43"1/4D x 29"1/8H

Size D

