

Victor Director's Armchair

Design: R&D Varaschin



Description

A classic design defines an elegant and versatile seating option. The modern Victor Director's Armchair features clean, regular lines designed to provide comfort and relaxation outdoors in both residential and contract settings. The seat and backrest are available in quilted fabric or Batyline, while the armrests can be customized with teak wood for a refined, modern touch. When not in use, the Victor director's chair with arms folds easily for convenient storage.

Finishes & Materials

Structure: Metal

Armrest: Metal or Wood

Cushions cover: Fabric

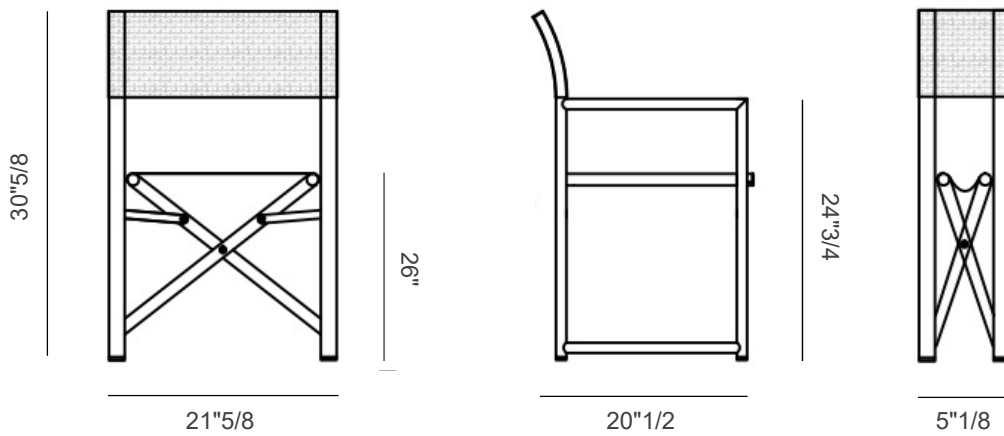
Victor Director

Sizes

Size A: 21"5/8W x 20"1/2D x 33"H(SH:17"3/4, AH:24"3/4)

Size B: 21"5/8W x 20"1/2D x 33"H(SH:17"3/4, AH:25"1/8)

Size A:



Size B:

