

Beak Ceiling/Wall Lamp

Design: Massimo Tonetto



Description

The Beak Ceiling/Wall features an adjustable cylinder that directs and projects a focused beam of direct light. Its smooth, burnished brass finish is enhanced by knurling on the head, adding visual rhythm to the structure. Also available in a Flat version with a reduced-thickness canopy, Beak Ceiling/Wall can be installed on both walls and ceilings, making it ideal for contract settings. The Beak collection also includes floor, picture, reading, table, suspension versions, as well as another ceiling model. UL Wired Certification.

Finishes & Materials

Structure: Metal

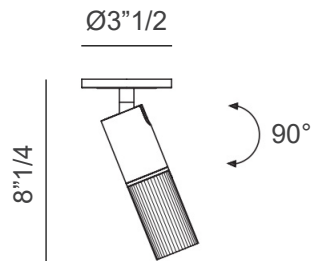
Beak Ceiling/Wall

Dimensions

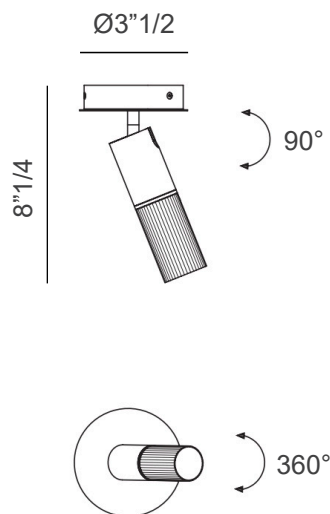
Size A: $\text{Ø}3\text{''}1/2 \times 8\text{''}1/4\text{H}$

Size B: $\text{Ø}5\text{''}1/2 \times 8\text{''}1/4\text{H}$

Size A : Without J-Box



Size B: With J-Box



Function: Ceiling/Wall

Location: Interior

Light Emission: Directional light

Light Source: COB LED CLU703 6W, 724Lm

CRI: 90

Light Temperature: 2700K

Energy Efficiency: F

Voltage: 110V

Frequency: 50-60Hz

Supply: Remote Terminal Block

IP: 20