

## Free *Design: Ethimo Studio*



### *Description*

This central pole umbrella is constructed with a solid metal (aluminum) frame that ensures lightness and structural stability. The canopy is made of high-performance fabric (polyester), which is available in a variety of colors and is designed for long-lasting weather resistance. It features a manual pulley system for smooth opening and closing. The umbrella is compatible with different types of heavy bases to suit various floor types and wind conditions, and it is proudly Made in Italy.

### *Dimensions*

**Square A:** 86"5/8W x 86"5/8D x 104"3/8H  
**Square B:** 137"3/4W x 137"3/4D x 110"1/4H  
**Rectangular:** 118"1/8W x 78"3/4D x 104"3/8H

### *Finishes and materials*

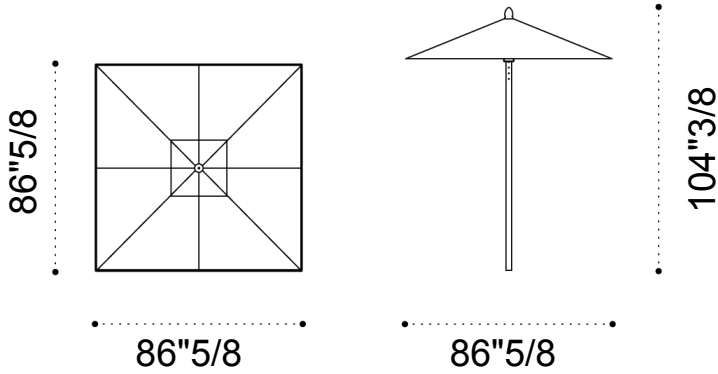
**Structure & Base:** Aluminum.  
**Shade:** Polyester fabric.

Free

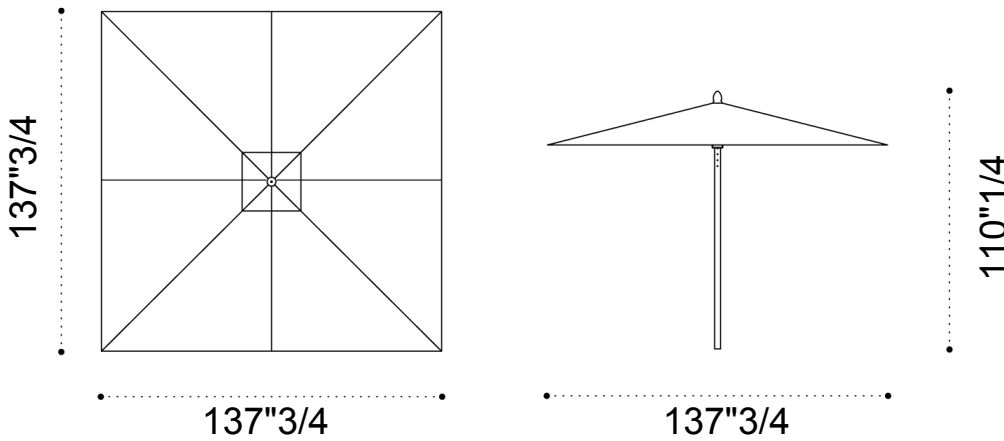
---

## Dimensions

### Square A



### Square B



### Rectangular

