

## Laren *Design: Ethimo Studio*



### *Description*

The Laren table features a sturdy painted metal structure paired with a tabletop made of high-quality FSC-certified teak. The frames are engineered for high-performance durability in varied environments—from seaside to mountain settings. They are available in two primary finish combinations: Mud Grey metal with Pickled Teak or Coffee Brown metal with Natural Teak. Every piece is proudly Made in Italy.

### *Dimensions*

**Rectangular:** 63"W x 35"3/8D x 29"3/8H

**Square:** 35"3/8W x 35"3/8D x 29"3/8H

### *Finishes and materials*

**Structure:** aluminum.

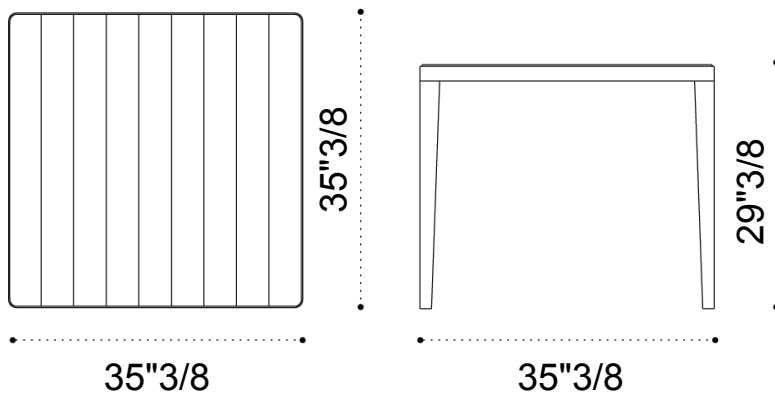
**Top:** Teak wood.

## Laren

---

### *Dimensions*

#### Square



#### Re an u ar

