

Venexia *Design: Luca Nichetto*

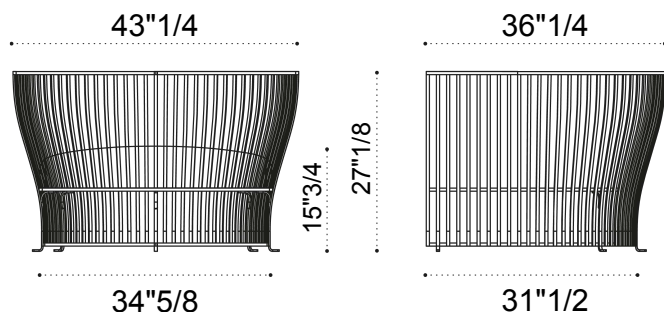


Description

This large-scale lounge armchair features a robust powder-coated aluminum frame, engineered for exceptional weather resistance. The seat is outfitted with an oversized, plush cushion set made from recycled waterproof padding and upholstered in 100% outdoor acrylic fabric. The standard configuration includes one large seat cushion and three matching back cushions for ultimate support, it also comes with an integrated Teak cup-holder included. Made in Italy.

Dimensions

Size: 43"1/4W x 36"1/4D x 27"1/8H
Seat height: 15"3/4



Finishes and materials

Seat / Backrest: Metal.
Cushions Cover: Outdoor fabric.
Cup-holder: Teak.