

# Groove

*Design: Hangar Design Group*



## *Description*

This luminaire is engineered with an adjustable metal framework in anthracite or matte bronze, consisting of four perpendicular frames of two different lengths that slide to customize the chandelier's overall geometry. The system supports satin white glass spheres designed to provide a soft, uniform 360° diffusion.

**Light source:** E14 Light bulbs.

**Dimmer:** Dimmed with a “phase cut” system (DIM 1).

## *Dimensions*

**Size A:** 14"1/2W x 5"1/2minD to 14"1/2maxD x 23"5/8H

**Size B:** 35"3/8W x 5"1/2minD to 15"3/4D x 15"3/4H

**Size C:** 15"3/4W x 23"5/8D x 39"3/8H

**Size D:** 35"3/8W x 23"5/8D x 23"5/8H

**Size E:** 51"1/8W x 23"5/8D x 23"5/8H

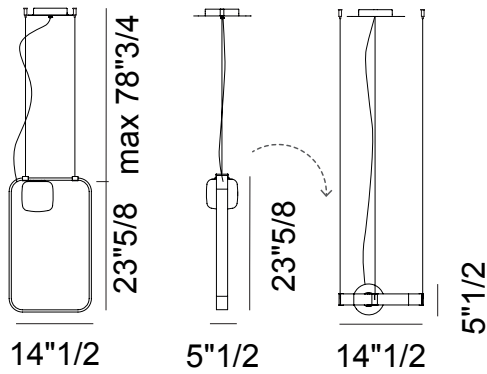
## *Finishes and materials*

**Frame:** Metal.

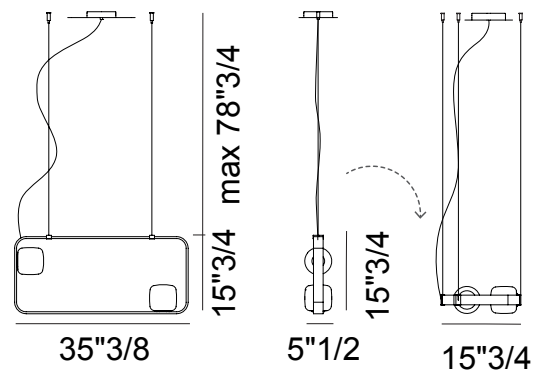
**Diffuser:** Glass.

## Groove

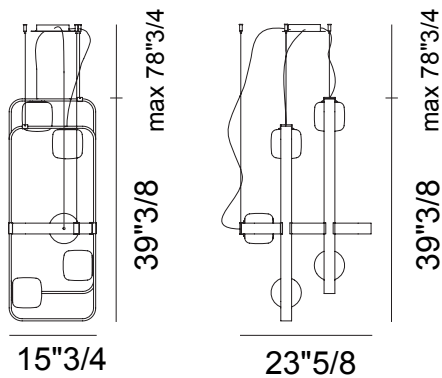
Size A



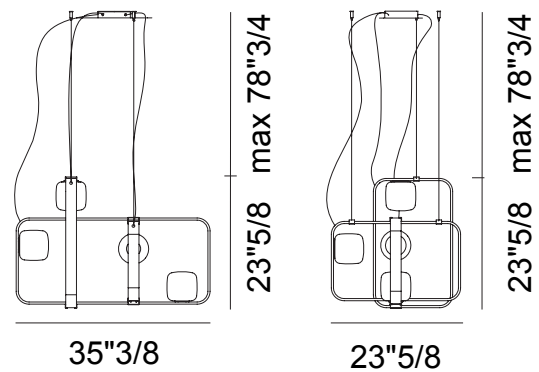
Size B



Size C



Size D



Size E

