

Flap

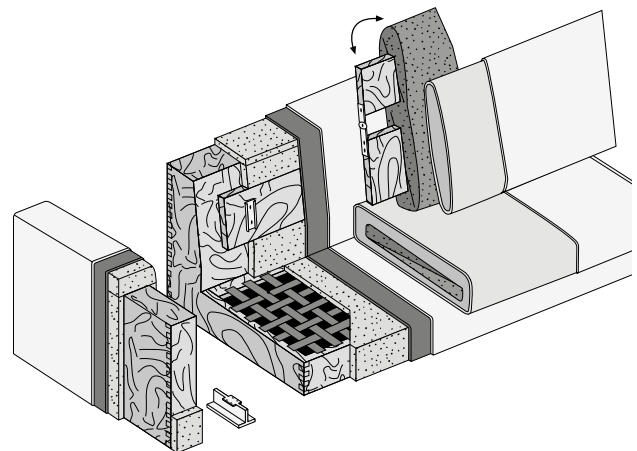
Design: Marconato & Zappa



Description

The Flap Sofa by CTS Salotti is a modular system featuring a specialized mechanism that adjusts the upper backrest into 10 different positions. Available in a standard depth or a Large variant with a deeper seat, it is constructed with a solid fir wood frame, Intes Elasebelt suspension, and differentiated density polyurethane padding.

The seating can be customized with either goose down cushions (with a polyurethane core) or a pure polyurethane version, both supported by specialized foam layers for ergonomic recovery. The design is finished with aluminum feet in various polished or painted colors and features fully removable covers in both fabric and leather.



Flap

Dimensions

Large - A: 66"1/2W x 44"D x 29"1/8minH to 35"3/8MaxH
Large - B: 77"1/8W x 44"D x 29"1/8minH to 35"3/8MaxH
Large - C: 85"W x 44"D x 29"1/8minH to 35"3/8MaxH
Large - D: 93"W x 44"D x 29"1/8minH to 35"3/8MaxH

Standard - A: 66"1/2W x 41"3/8D x 29"1/8minH to 35"3/8MaxH
Standard - B: 77"1/8W x 41"3/8D x 29"1/8minH to 35"3/8MaxH
Standard - C: 85"W x 41"3/8D x 29"1/8minH to 35"3/8MaxH
Standard - D: 93"W x 41"3/8 x 29"1/8minH to 35"3/8MaxH

