

## Ginevra

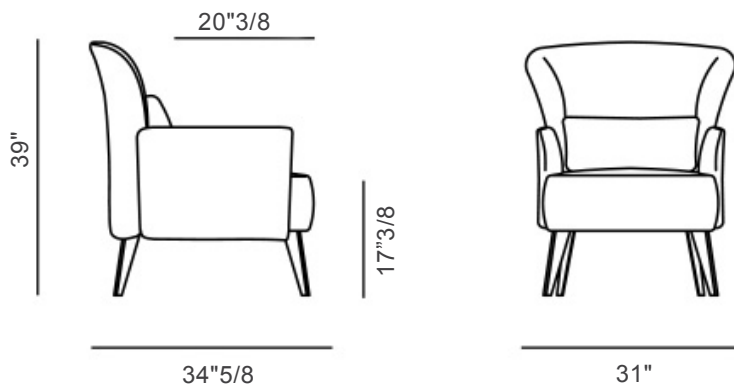
*Design: Marconato & Zappa*

### Description

Lounge chair with wood or steel frame. Suspension support with elastic straps Intes Elastbelt 3"1/2 (90mm). Seat in differentiated density polyurethane foam (T21 SM and T40 P). Resin coupled with velveteen. Lower back cushion (T25) covered with cotton lining Removable cover available in fabrics or non-removable in leathers as per collection. Matching footrest available on demand. Made in Italy.

### Dimensions

31"W x 34"5/8D x 39"H



### Matching footrest:

26"3/8W x 19"1/4D x 17"3/8H

