

Abra Coffee Table

Design: Andrea Casati



Description

The contemporary Abra Coffee Table features an extensible design with synchronized revolving glass tops. The base and supports are crafted in painted or galvanized steel, emphasizing a strong and refined structural presence. An integrated mechanism within the base enables the synchronized rotation of the tops, allowing for wide modulation of the table's shape. Abra is also available with ceramic tops, offering additional material options while maintaining its dynamic and contemporary character.

Finishes & Materials

Upper Top: Glass, Ceramic Stone, Ceramic Porcelain or Wood

Lower Top: Glass, Ceramic Stone, Ceramic or Porcelain

Base & Supports: Metal

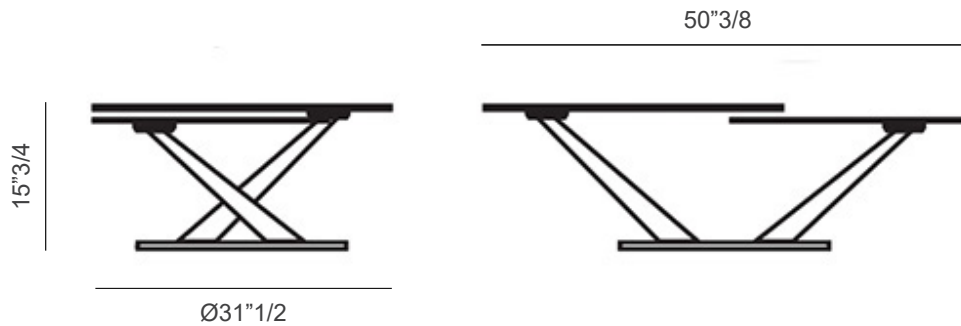
Abra Coffee Table

Dimensions

Size: min: Ø31"1/2 x 15"3/4H

Extends to: 50"3/8W x 31"1/2D x 15"3/4H

Model: Abra Coffee Table



Top View

