

Basalto Coffee Table

Design: Andrea Casati



Description

The contemporary Basalto Coffee Table features an extensible design with synchronized revolving tops in glass or ceramic, allowing the table to transform fluidly and adapt to different spatial needs. The base is available in ceramic or in painted finishes, paired with supports in painted finishes or galvanized steel for a refined, architectural presence.

Finishes & Materials

Upper Top: Glass, Ceramic Stone or Ceramic Porcelain

Lower Top: Glass, Ceramic Stone or Ceramic Porcelain

Supports: Metal

Base: Metal

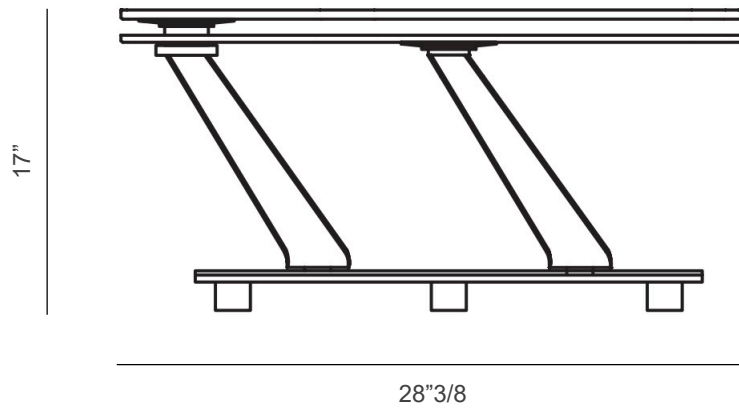
Basalto Coffee Table

Dimensions

Size: min: 28"3/8W x 28"3/8D x 17"H

Extends to: 50"W x 28"3/8D x 17"H

Model: Basalto Coffee Table



Top View

