

# Big Plie Extendable Table

*Design: Andrea Casati*



## *Description*

Part of the Giants collection of extensible large-scale tables, the contemporary Big Plie Extendable Table is defined by its advanced Naos mechanism. The table moves from a minimum length when closed to an impressive maximum when opened in each size, offering exceptional flexibility for generous dining and meeting spaces.

## *Finishes & Materials*

**Top:** Glass, Ceramic Stone or Ceramic Porcelain

**Base:** Metal

## Big Plie Table

---

### Dimensions

**Size A:** W: (min: 94"1/2, max: 133"7/8) x 39"3/8D x 29"1/2H

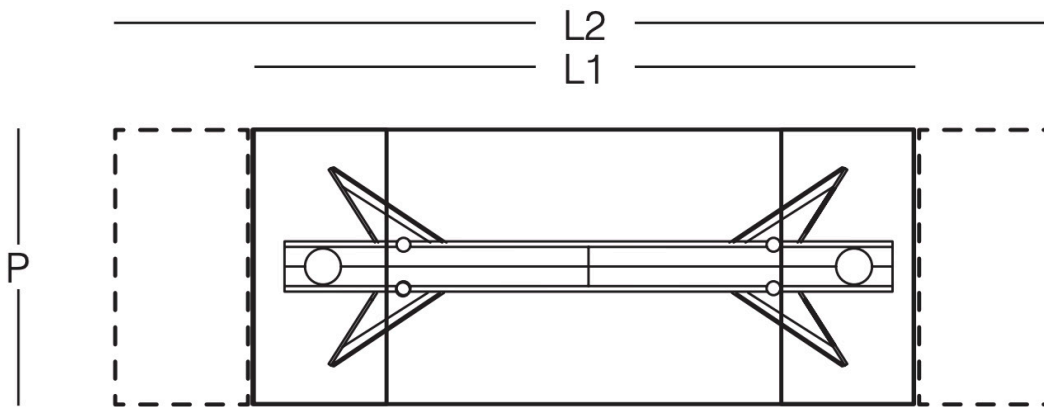
**Size B:** W:(min: 102"3/8, max: 141"3/4) x 39"3/8D x 29"1/2H

**Size C:** W:(min: 110"1/4, max: 149"5/8) x 39"3/8D x 29"1/2H

**Size D:** W:(min: 118"1/8, max: 157"1/2) x 39"3/8D x 29"1/2H

### Model: Big Plie Extendable Table

#### Top View



**L1      L2      P**

94"1/2 → 133"7/8 x 39"3/8. H: 29"1/2

102"3/8 → 141"3/4 x 39"3/8. H: 29"1/2

110"1/4 → 149"5/8 x 39"3/8. H: 29"1/2

118"1/8 → 157"1/2 x 39"3/8. H: 29"1/2