

Equus Extendable Table

Design: Andrea Casati



Description

The contemporary Equus extendable table is part of the Giants collection, designed to offer generous proportions with refined aesthetics. Its special Naos mechanism allows the top to extend through two lateral extensions, ensuring smooth and practical usability. Available in glass or ceramic stone and porcelain finishes, and supported by painted or chrome-plated metal legs, the deluxe Equus Table combines strength, elegance, and versatility for modern dining spaces.

Finishes & Materials

Top: Glass, Ceramic Stone or Ceramic Porcelain

Legs: Metal

Mechanism: Metal

Equus Table

Dimensions

Size A: W: (min: 94"1/2, max: 133"7/8) x 39"3/8D x 29"1/2H

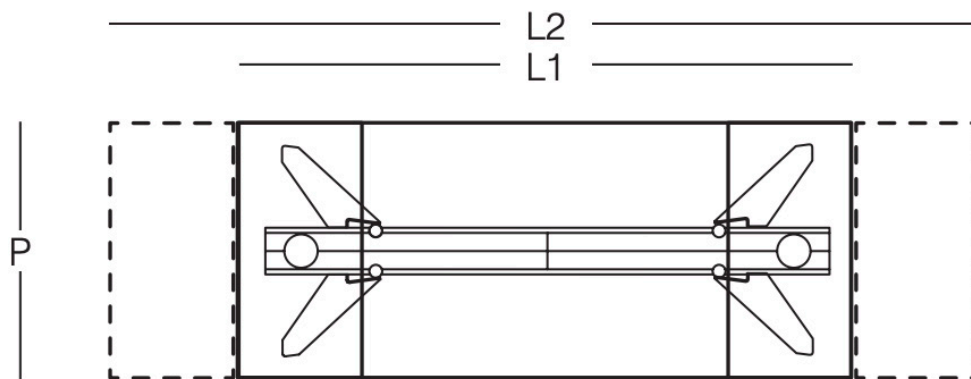
Size B: W: (min: 102"3/8, max: 141"3/4) x 39"3/8D x 29"1/2H

Size C: W: (min: 110"1/4, max: 149"5/8) x 39"3/8D x 29"1/2H

Size D: W: (min: 118"1/8, max: 157"1/2) x 39"3/8D x 29"1/2H

Model: Equus Extendable Table

Top View



L1 L2 P

94"1/2 → 133"7/8 x 39"3/8. H: 29"1/2

102"3/8 → 141"3/4 x 39"3/8. H: 29"1/2

110"1/4 → 149"5/8 x 39"3/8. H: 29"1/2

118"1/8 → 157"1/2 x 39"3/8. H: 29"1/2