

Flocon Extendable Table

Design: Andrea Casati



Description

The Flocon Extendable Dining Table combines refined materials with advanced functionality. Available with glass or ceramic tops and supported by painted steel legs, it features a synchronized extension system that widens the table through lateral extensions while lifting a central extension into place. The mechanism can be operated with or without remote control, ensuring ease of use and flexibility for contemporary dining spaces.

Finishes & Materials

Main Top: Glass

Side Tops: Glass, Ceramic Stone or Ceramic Porcelain

Legs: Metal

Mechanism: Metal

Flocon Table

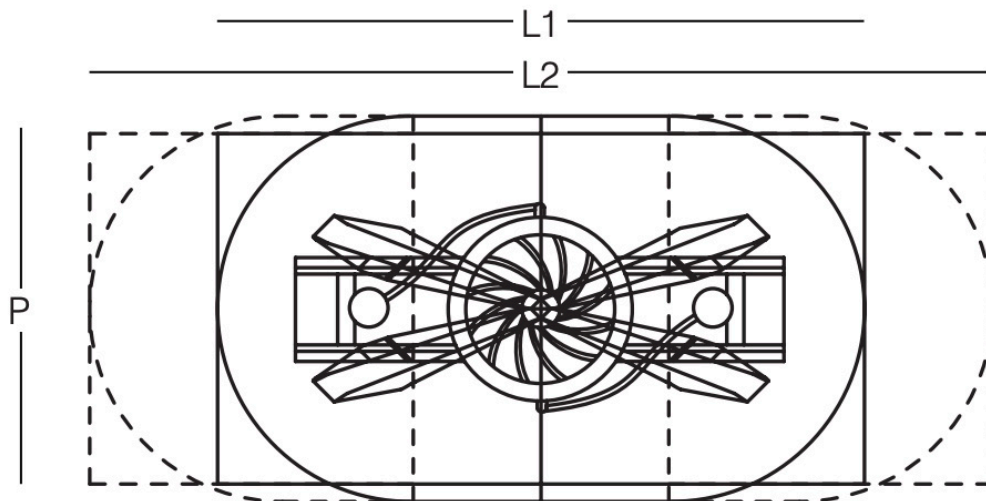
Dimensions

Size A: 78"3/4 - 110"1/4W x 39"3/8D x 29"1/2H

Size B: 78"3/4 - 110"1/4W x 43"1/4D x 29"1/2H

Model: Flocon Extendable Table

Top View



L1 L2 P

78"3/4 → 110"1/4 x 39"3/8. H: 29"1/2

78"3/4 → 110"1/4 x 43"1/4. H: 29"1/2