

# Madison Coffee Table

*Design: Andrea Casati*



## *Description*

The contemporary Madison Coffee Table is an extendable design with four tops in glass or ceramic, conceived to bring flexibility and visual lightness to the living space. Its innovative double synchronized mechanism allows all four tops to open simultaneously with a simple gesture, while also enabling them to be arranged in different directions. Supported by painted or chromed steel elements, Madison combines functionality with a clean, contemporary aesthetic.

## *Finishes & Materials*

**Tops:** Glass, Ceramic Stone or Ceramic Porcelain

**Supports:** Metal

**Base:** Glass, Ceramic Stone or Ceramic Porcelain

## *Madison Coffee Table*

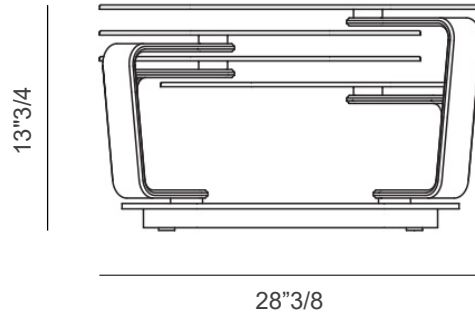
---

### *Dimensions*

**Size:** 28"3/8W x 28"3/8D x 16"1/2H

**Extends to:** 54"3/4W x 54"3/4D x 16"1/2H

### *Model: Madison Coffee Table*



**Top View**

