

## Samurai Coffee Table

*Design: Andrea Casati*



### *Description*

The contemporary Samurai Coffee Table is an extendable design with two tops available in glass or ceramic, created to offer flexibility with a clean, contemporary look. Its innovative synchronized opening mechanism allows both tops to extend smoothly with a single gesture. The structure combines a painted steel base with chromed or painted steel supports, giving the table a balanced and refined presence.

### *Finishes & Materials*

**Tops:** Glass, Ceramic Stone or Ceramic Porcelain

**Supports:** Metal

**Base:** Metal

## *Samurai Coffee Table*

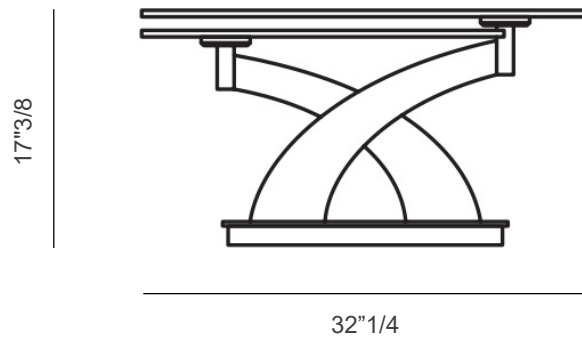
---

### *Dimensions*

Size:  $\text{Ø}32\text{''}1/4 \times 17\text{''}3/8\text{H}$

Extends to:  $55\text{''}1/8\text{W} \times 32\text{''}1/4\text{D} \times 17\text{''}3/8\text{H}$

### *Model: Samurai Coffee Table*



Top View

