

Memphis

Design: La Conca



Description

Sofa in leather or fabric, structure in plywood and solid wood, seat frame webbed with elastic belts. Padding of external structure and seat cushions in polyurethane with different densities and acrylic fiber. The back cushions, the rear back and the external part of the armrests are decorated with contrasting piping. The external part of the armrest is equipped with a pocket in printed leather suitable for small items and decorated with leather edge and Visionnaire logo in chromed brass. Contrasting piping in leather. Corner protectors with logo in stainless steel and chromed brass under the seat. Feet in stainless steel with overlying tubular elements. Metal parts available with satin metal lacquered finish.

Finishes & Materials

Cover: Fabric or leather.

Piping & pockets: Leather.

Base: Metal.

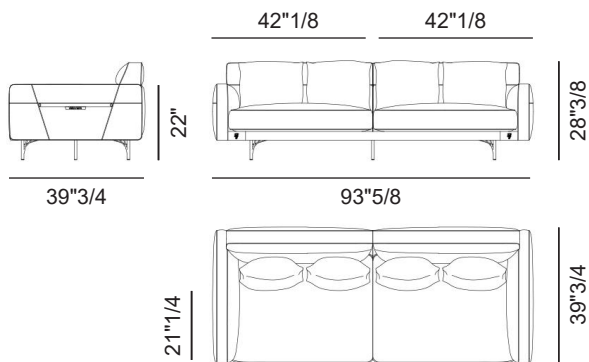
Memphis

Dimensions

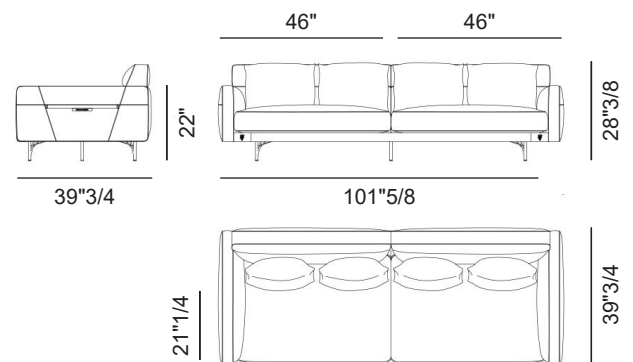
Size A: 93"5/8W x 39"3/4D x 28"3/8H
Size B: 101"5/8W x 39"3/4D x 28"3/8H

Size C: 109"3/8W x 39"3/4D x 28"3/8H
Size D: 117"3/8W x 39"3/4D x 28"3/8H

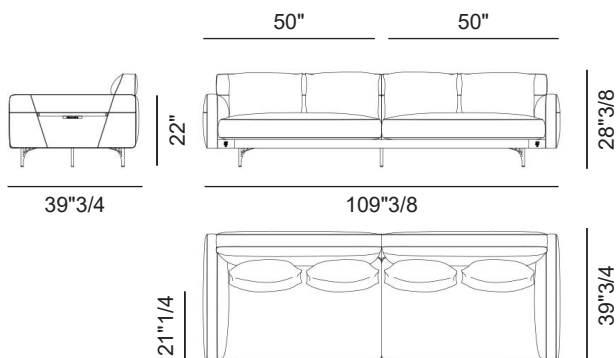
Size A



Size B



Size C



Size D

