

Miller

Design: Fabio Bonfà



Description

The Miller sofa by Visionnaire is a sophisticated modular seating system that balances geometric precision with plush, multi-layered comfort. Built upon a robust wooden frame with elastic spring belts, the design features distinctive curved wood back and side panels. These structural elements are elegantly upholstered in specialized fabrics—Gand, Faber, or Vermeer—and detailed with a refined quilted cannetté motif.

Finishes & Materials

Cover: Fabric or leather.

Inserts: Metal.

Miller

Dimensions

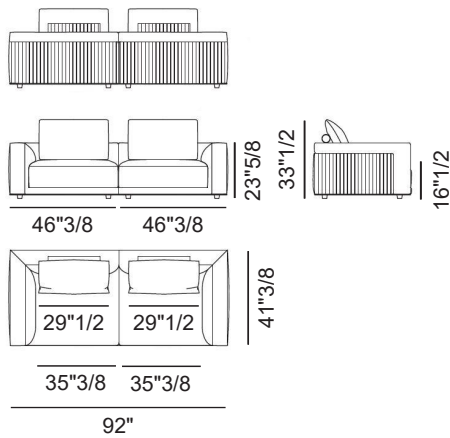
Size A: 92"W x 41"3/8D x 33"1/2H

Size B: 100"7/8W x 41"3/8D x 33"1/2H

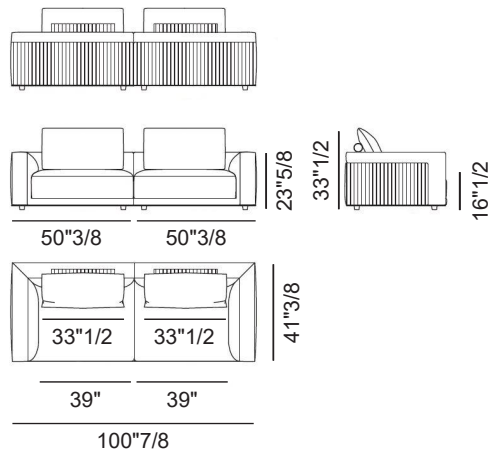
Size C: 108"5/8W x 41"3/8D x 33"1/2H

Size D: 116"1/2W x 41"3/8D x 33"1/2H

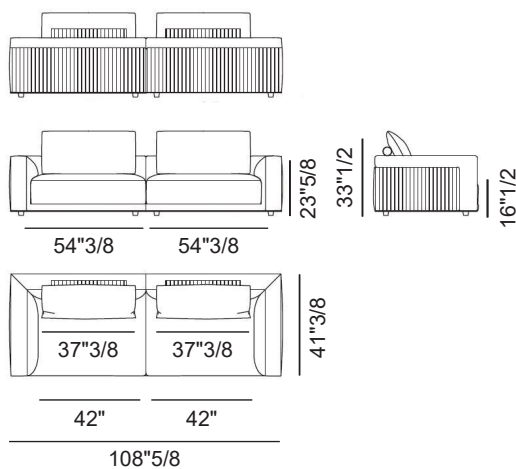
Size A



Size B



Size C



Size D

