

Xavier

Design: Mauro Lipparini



Description

The Xavier upholstered leather or fabric sofa, with platform base and backrest and trapezoidal upholstered armrests. Inner shell in solid wood and poplar and beech plywood. Seat cushions in polyurethane, memory foam® and feather. Back cushions with “chevron” processing in polyurethane and feather.

Finishes & Materials

Cover: Fabric or leather.

Xavier

Dimensions

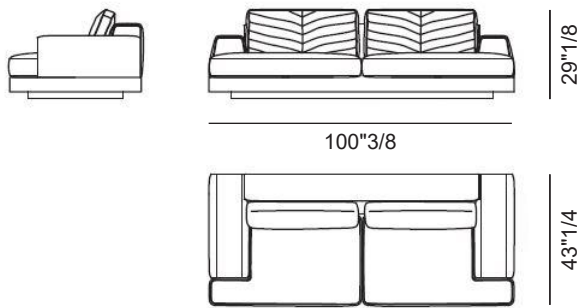
Size A: 100"3/8W x 43"1/4D x 29"1/8H

Size B: 108"1/4W x 43"1/4D x 29"1/8H

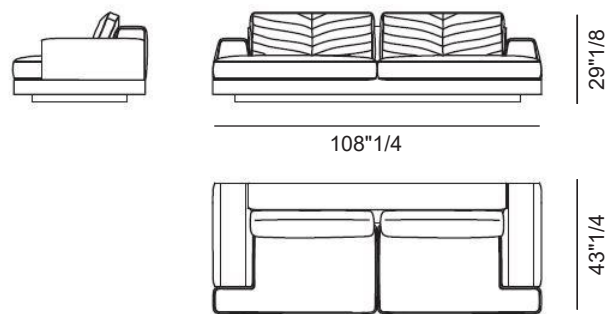
Size C: 120"W x 43"1/4D x 29"1/8H

Size D: 132"1/4W x 43"1/4D x 29"1/8H

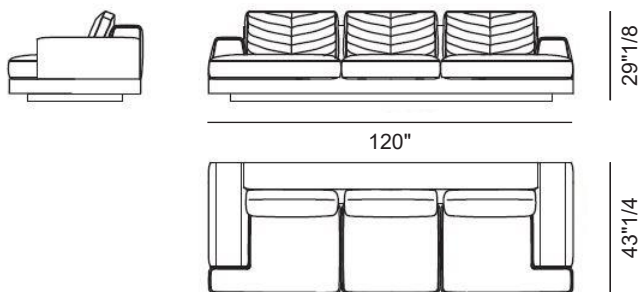
Size A



Size B



Size C



Size D

