

## Bell

*Design: Archirivolto*



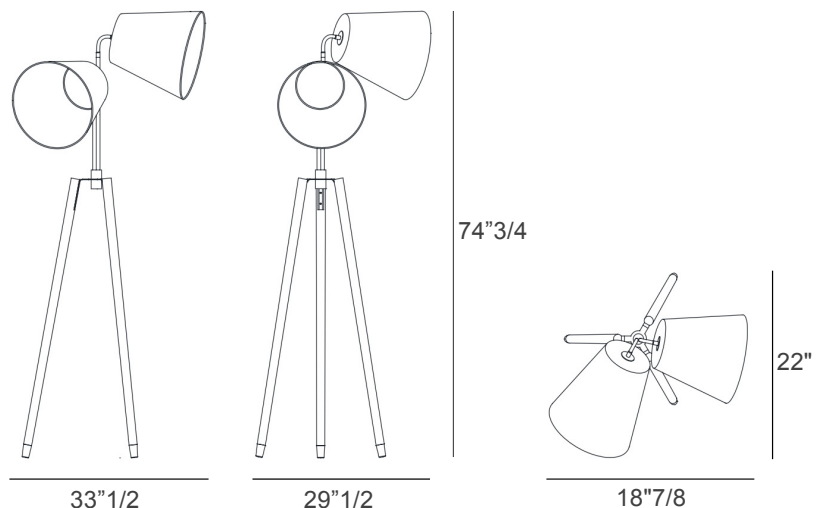
### *Description*

Bell is a decorative floor lamp inspired by cinematographic lighting, designed to deliver diffused illumination with strong visual presence. The fixture features two adjustable upholstered lampshades, allowing directional control of light while maintaining a soft ambient effect.

The structure is composed of a solid ash wood tripod with conical legs, engineered to provide stability while preserving visual lightness. Metal detailing reinforces the joints and enhances durability, while protective feet complete the base. Bell is equipped with E26 light sources (bulbs not included), compatible with LED solutions for energy efficiency and long-term performance. The lamp includes a Type F (EU Schuko) plug with Type A (USA) adapter and is CE certified. Made in Italy.

### *Dimensions*

33"1/2W x 29"1/2D x 74"3/4H - Cod. BBEL190



### *Finishes & Materials*

**Lampshades:** Fabric.  
**Legs:** Solid Ash wood.  
**Feet & Details:** Metal.