

Caius

Design: Claudia Campone & Martina Stancati



Description

Caius reinterprets the elegance of iconic fabric finishes through a creative and refined table concept in which material becomes a central design element. The composition frames the essence of the upholstery with delicate precision, transforming the fabric into an integral part of the tabletop. This approach elevates the piece beyond functionality, turning it into distinctive luxury brand furniture designed to harmonize with sophisticated interiors.

The wooden legs, defined by a slender profile, support the top with visual lightness and balanced proportions. Their soft connection to the surface reinforces the fluidity of the design, creating a cohesive and elegant silhouette, allowing the table to blend seamlessly into curated environments.

Refined metal feet further emphasize the precious character of the composition, adding a subtle yet impactful accent. With its combination of material richness, light geometry, and understated sophistication, Caius becomes a versatile centerpiece for modern luxury living room furniture arrangements, expressing contemporary elegance with timeless appeal.

Made in Italy.

Finishes & Materials

Top: TransSPARENT extra-clear glass with an insert covered in Fabric.

Structure: Solid Ash Wood.

Feet: Metal.

Caius

Dimensions

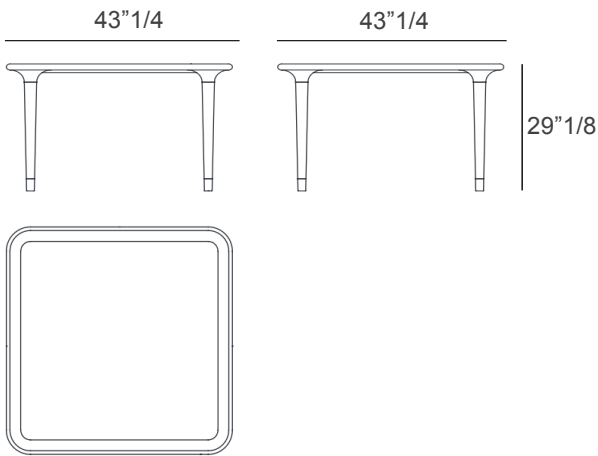
A) 43"1/4W x 43"1/4D x 29"1/8H - Cod. BCAI11F

B) 59"W x 59"D x 29"1/8H - Cod. BCAI15F

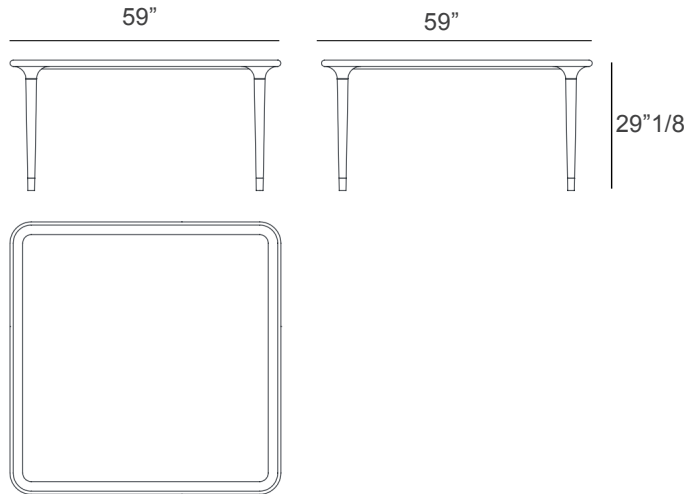
C) 86"5/8W x 43"1/4D x 29"1/8H - Cod. BCAI22F

D) 102"3/8W x 47"1/4D x 29"1/8H - Cod. BCAI26F

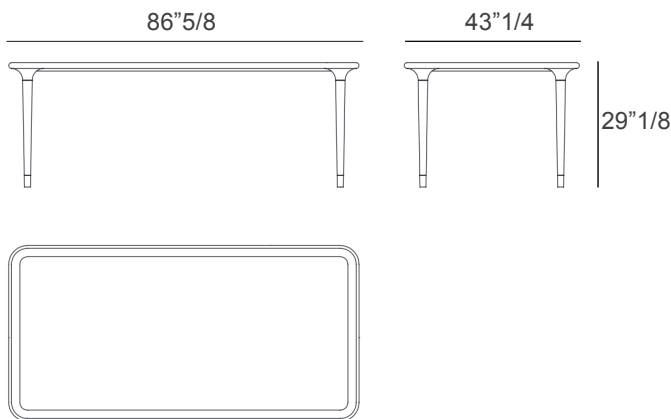
A) Square



B) Square



C) Rectangular



D) Rectangular

