

## Kumiko

*Design: Lato X Lato*



### *Description*

Kumiko is inspired by the expressive potential of solid wood and its ability to create refined woven patterns. The result is a sturdy yet elegant chair with a strong architectural presence, reflecting the thoughtful craftsmanship typical of contemporary designer furniture. Its balanced proportions and carefully defined structure give the piece both visual impact and everyday functionality.

Designed to provide exceptional comfort, the chair features generous padding that supports extended seating, making it ideal for convivial dinners or professional gatherings. The combination of solid wood, fine fabrics, Vienna straw, and subtle golden accents highlights the richness of materials and the artisanal attention to detail associated with luxury Italian furniture. These elements work together to create a refined seating experience that blends tradition with contemporary sophistication.

More than a simple chair, Kumiko becomes a statement piece that brings elegance and character to dining spaces. Perfect for sophisticated interiors and high-end living room furniture sets or hospitality environments, it offers a harmonious balance of comfort, craftsmanship, and timeless design, elevating both residential and contract settings.

Made in Italy.

### *Finishes & Materials*

**Non-Removable Cover:** Fabric, Velvet or Leather.

**Seat & Backrest Padding:** Expanded polyurethane.

**Structure:** Solid lacquered Ash, with or without Vienna Straw.

**Rods:** Metal.

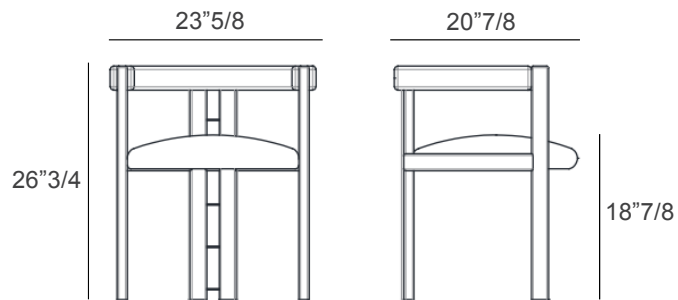
## Kumiko

### Dimensions

23"5/8W x 20"7/8D x 26"3/4H

Seat height: 18"7/8

without Vienna Straw backrest



with Vienna Straw backrest

