

## Lilith

*Design: Artefatto*



### *Description*

Lilith is a sofa that epitomizes elegance and sophistication, combining graceful design with refined detailing. Its sleek silhouette and balanced proportions create a timeless presence, where traditional influences blend seamlessly with contemporary aesthetics. The result is a distinctive piece of luxury brand furniture designed to elevate sophisticated interiors with understated charm.

Crafted with meticulous attention to detail, Lilith features clean, captivating lines that express modern minimalism while maintaining a sense of warmth and comfort. Plush cushions enhance the inviting character of the design, offering a relaxing seating experience without compromising its elegant profile. The careful selection of premium materials and finishes reflects the craftsmanship and quality associated with luxury Italian furniture, ensuring both durability and visual refinement.

It provides versatile customization options, offering a single-color version or a two-color version that allows the external cover to feature a distinct finish from the internal cover. Lilith adapts effortlessly to diverse layouts and design preferences. Ideal for refined interiors and curated living room furniture sets, this sofa becomes a natural focal point, combining comfort, versatility, and timeless Italian sophistication. Made in Italy.

### *Finishes & Materials*

**Cover:** Fabric, Velvet or Leather. Removable for seat & back cushions.

**Upholstery:** Thermo-bonded fibre with stretch jersey.

**Padding:** High-resilience polyurethane foam.

**Seat & Back Cushions:** 100% European, channelled goose feather, 10% down, closed in independent rooms. The seat cushions feature a central insert in memory foam.

**Structure:** Fir wood, multi-layer & MDF with crossed elastic belt spring system.

**Side Tables Top:** Marble.

**Side Tables Support:** Metal plates.

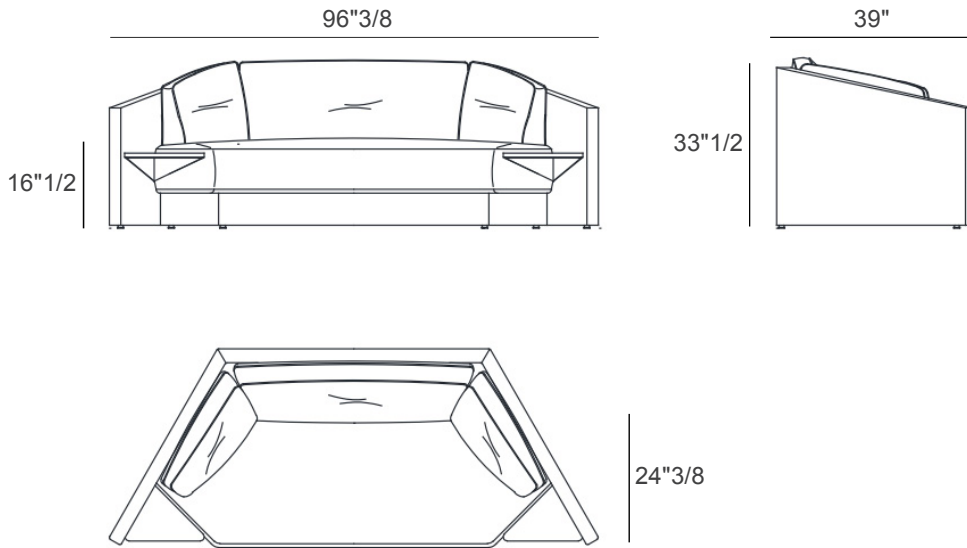
## Lilith

### Dimensions

96"3/8W x 39"D x 33"1/2H - Cod. BLIL3

Seat height: 16"1/2

Seat depth: 24"3/8



### Color combination references

