

Lucy Freestanding

Design: Claudia Campone & Martina Stancati

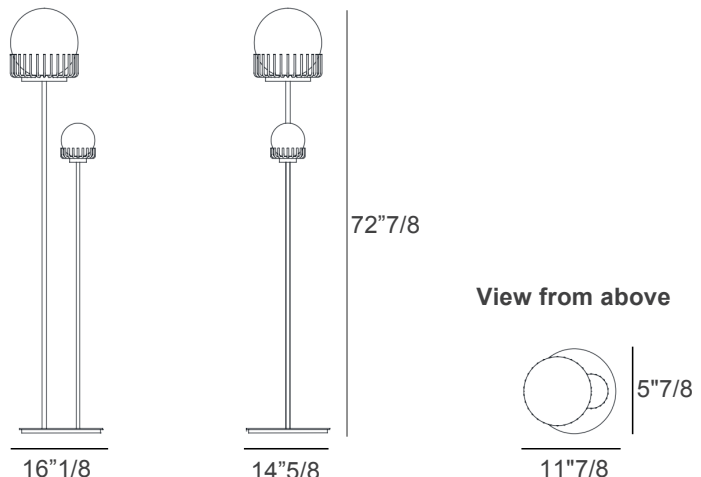


Description

Lucy Freestanding was designed to provide diffused ambient lighting through a dual-light configuration. The fixture features two spherical diffusers in glossy opal glass positioned along a vertical metal structure, engineered to ensure uniform light distribution and visual balance. The base and structural rod are crafted in matt varnished metal, ensuring stability and durability, while metal crown elements connect the diffusers to the frame. The lamp is equipped with two light sources: one E26 and one G9 socket (bulbs not included), with LED bulbs recommended for optimal performance and energy efficiency. It includes a Type F (Schuko) plug with Type A adapter, CE certified. The dual-light system and opal glass diffusers provide soft, uniform illumination suitable for elegant luxury home lighting environments. Made in Italy.

Dimensions

16"1/8W x 14"5/8D x 72"7/8H - Cod. BLUC185



Finishes & Materials

Diffusers Structure: Glossy Opal Glass.
Diffusers Rods: Metal with galvanic finishing.
Body & Base: Matt Varnished.