

ANBA 02

Design: Bruna Rapisarda



Description

The ANBA 01 rectangular countertop washbasin by Norah Design is a sophisticated exploration of linear purity, designed for those who appreciate architectural rigor in the modern wellness space. This basin transforms the functional act of washing into a sensory ritual, utilizing its sharp, confident silhouette to showcase the extraordinary visual properties of the brand's proprietary materials.

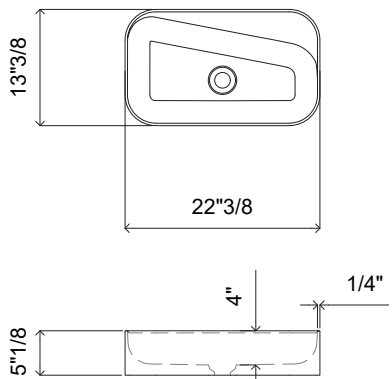
Finishes & Materials

Structure: Crystal.
Cover drain: Acrylic.

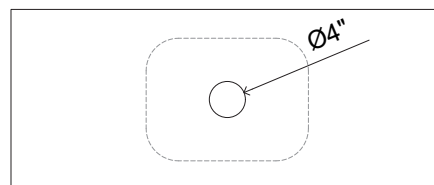
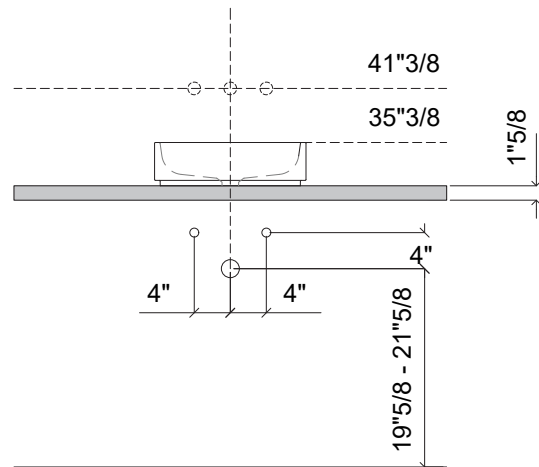
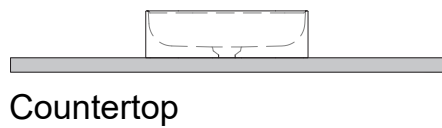
ANBA 02

Dimensions

22"3/8W x 13"3/8D x 5"1/8H

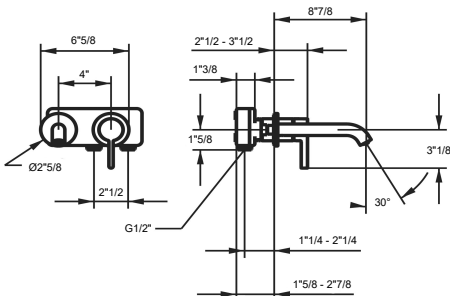
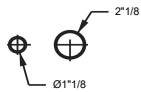
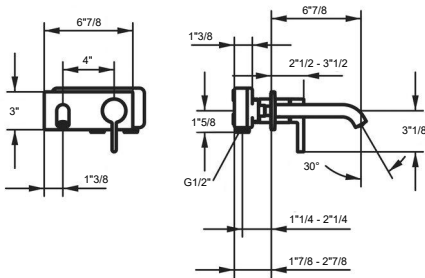
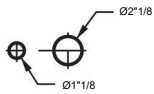


CONFIGURATION



Reference dimensions. You'll receive the installation instructions along with your order. For more information or if you have any questions, please contact us.

ANBA 02



- * Trim kit Lever mixer
- * EcoProtect - water-saving device
- * Fixed spout
- Neoperl® Caché® CS, Coin Slot
- * OptimalSpace - ample space for washing or working
- * KWC cartridge M 35 H

- with ceramic discs
- flow rate and temperature continuously variable
- * To be ordered separately:
- Unit for concealed installation 1/2" 39.001.401.931
- * To be ordered separately (optional or if necessary):
- Extension set 20 mm Z.536.333

Technical Data

Flow rate	5 l/min (3 bar)
Spout	fixed
Diameter	173 x 74
Handling	front lever
Color code	chrome
Installation_type	Wall mounted
Faucet_typ	Lever mixer
G_Acoustic group	I
Concealed_unit	Trim kit
Projection_A	A 225
Energy Label	A
material	Brass

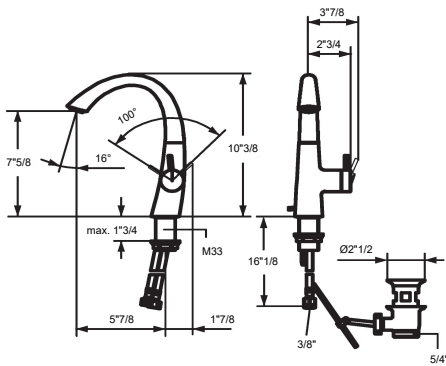
- * Trim kit Lever mixer
- * EcoProtect - water-saving device
- * Fixed spout
- Neoperl® Caché® CS, Coin Slot
- * OptimalSpace - ample space for washing or working
- * KWC cartridge M 35 H

- with ceramic discs
- flow rate and temperature continuously variable
- * To be ordered separately:
- Unit for concealed installation 1/2" 39.001.401.931
- * To be ordered separately (optional or if necessary):
- Extension set 20 mm Z.536.333

Technical Data

A_Spout_Spray	5 l/min (3 bar)
Connection	G 1/2"
Spout	fixe
Diameter	168 x 68
Handling	front lever
Color_code	chromeline
Installation_type	Wall mounted
Faucet_typ	Lever mixer
G_Acoustic group	I
Concealed_unit	Trim kit
Projection_A	A 225
Energy Label (CH)	A
Connection measure	Range CH curent
material	Brass

ANBA 02

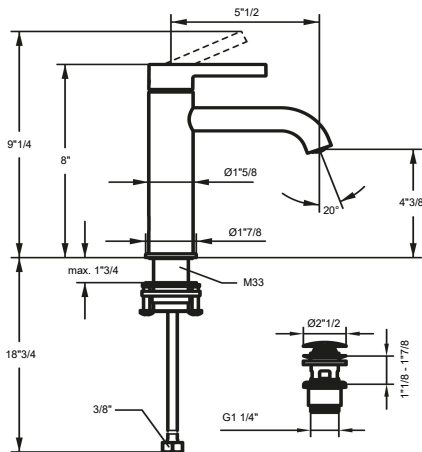


- * Lever mixer
- * Lever installation only possible on the right side
- Child safety: cold water flow in lever position towards the front
- * gap between wall and centre of mounting hole min. 45 mm
- * EcoProtect - water-saving device
- * Swivel spout 90°
- Neoperf® Caché®

- * OptimalSpace - ample space for washing or working
- * KWC cartridge S 25
- with ceramic discs
- flow rate and temperature continuously variable
- * Flexible connection hoses 3/8"
- * Fastening by means of threaded sleeve M33 x 1.5
- * Mounting hole size ø35 mm

Technical Data

Flow rate	6 l/min (3 bar)
Pop-up_valve	without pop-up valve
Connection	flexible connection hoses
Spout	swivel
Handling	side lever
Color code	chrome
Installation_type	Pillar installation
Faucet_typ	Lever mixer
Dimension Height	262
G_Acoustic group	I
Projection_A	A 150
Energy Label	A
Dimension Water outlet	195
material	Brass



- * Lever mixer
- * EcoProtect - water-saving device
- * Fixed spout
- Neoperf® Caché® CS Coin Slot
- * OptimalSpace - ample space for washing or working
- * KWC cartridge M 35 OP
- with ceramic discs
- flow rate and temperature continuously variable

- temperature limitation
- * Flexible connection hoses 3/8"
- * QuickInstallation - Fastening via threaded connection with locking screws
- * Mounting hole size ø35 mm
- * Scope of delivery:
- KWC pop-up valve Push Open 2 in 1 Z.540.049.700

Technical Data

A_Spout_Spray	5 l/min (3 bar)
Pop-up_valve	MIT PUSH_OPEN
Connection	flexible connection hoses
Spout	fixe
Handling	top lever
Color code	brushed steel
Installation_type	Pillar installation
Faucet_typ	Lever mixer
Measure_Height	201
G_Acoustic group	I
Projection_A	A 140
Energy Label (CH)	A
Dimension Water outlet	112
material	Brass