

ANBT 01

Design: Bruna Rapisarda



Description

The ANBT 01 rectangular bathtub by Norah Design is a sophisticated exploration of geometric purity, designed for those who appreciate clean lines and architectural clarity. This freestanding piece serves as a monumental anchor in the luxury bathroom, utilizing its sharp, confident silhouette to showcase the extraordinary visual properties of the brand's proprietary materials.

Finishes & Materials

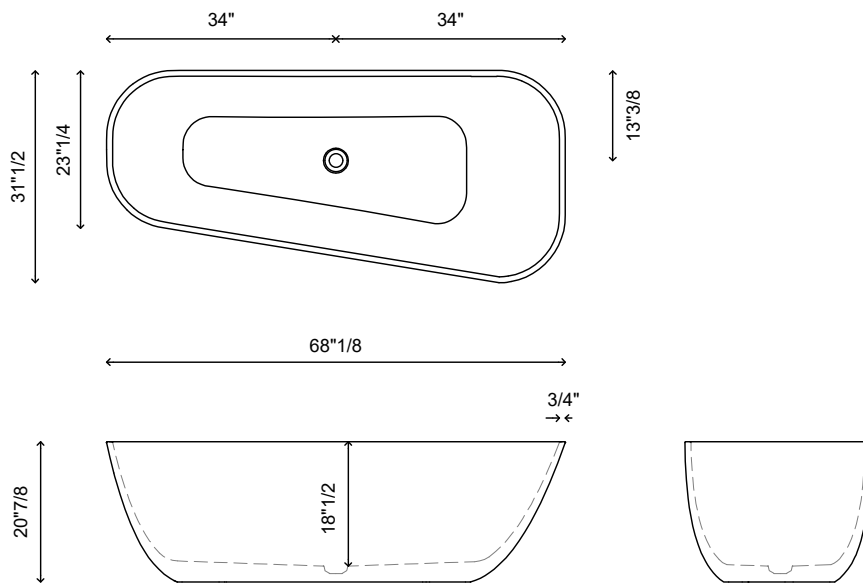
Structure: Crystal or marble.

Cover drain: Acrylic.

ANBT 01

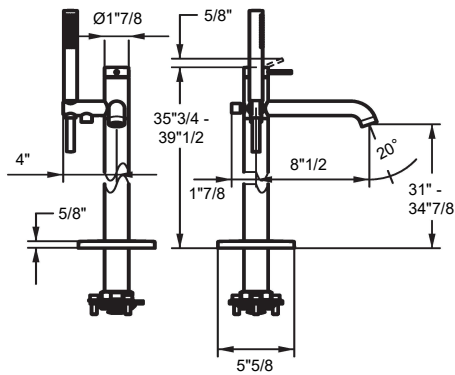
Dimensions

68"1/8W x 31"1/2D x 20"7/8H



Reference dimensions. You'll receive the installation instructions along with your order. For more information or if you have any questions, please contact us.

A 1000

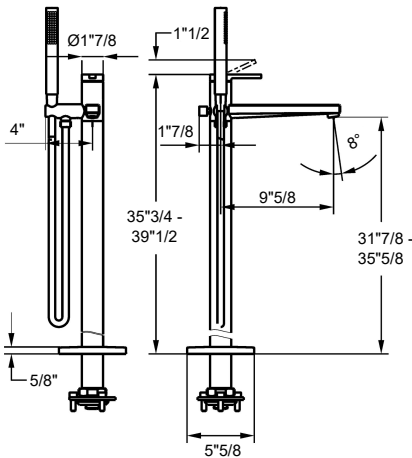


- * Lever mixer
- * For freestanding tub
- * Integrated check valve in the hose outlet
- * with shower holder
- * Fixed spout
- Neoperl® SLIM®
- * KWC cartridge M 35 OP
- with ceramic discs

- flow rate and temperature continuously variable
- temperature limitation
- * Scope of delivery:
- Hand shower KWC FIT-X slim style 26.000.103.000
- Shower hose 1500 mm made of metal Z.538.415.000
- * To be ordered separately:
- Unit for concealed installation 39.000.602.931

Technical Data

A_Spout_Spray	22 l/min (3 bar)
A_Shower outlet	11.5 l/min (3 bar)
Spout	fixe
Shower_set	MIT_BRAUSE_SCHLAUCH
Handling	top lever
Color_code	chromeline
Installation_type	Freestanding
Faucet_type	Lever mixer
Measure_Height	908-1004
G_Acoustic group	II
G_Acoustic group Shower outlet	I
Projection_A	A 215
Energy Label (CH)	C
Dimension Water outlet	790-886
material	Brass



- * Lever mixer
- * For freestanding tub
- * Made of stainless steel
- * Integrated check valve in the hose outlet
- * with shower holder
- * Fixed spout
- Neoperl® SLIM®
- * KWC cartridge M 35 OP

- with ceramic discs
- flow rate and temperature continuously variable
- temperature limitation
- * Scope of delivery:
- Hand shower KWC FIT-X slim style 26.000.103.177
- Shower hose 1500 mm made of plastic 26.001.033.177
- * To be ordered separately:
- Unit for concealed installation 39.000.602.931

Technical Data

A_Spout_Spray	22 l/min (3 bar)
A_Shower outlet	11.5 l/min (3 bar)
Spout	fixe
Shower_set	
Handling	top lever
Color_code	stainless steel
Installation_type	Freestanding
Faucet_type	Lever mixer
Measure_Height	927-1024
G_Acoustic group	II
G_Acoustic group Shower outlet	I
Projection_A	A 245
Energy Label (CH)	C
Dimension Water outlet	806-902
material	stainless steel