

ANCN 01

Design: Bruna Rapisarda



Description

The ANCN 01 rectangular freestanding sink by Norah Design is a definitive architectural statement, designed for high-end wellness environments that prioritize clean lines and sophisticated material textures. This sculptural pedestal basin utilizes a sharp, monolithic silhouette to create a focal point of modern elegance, balancing the clinical purity of its interior with a customizable, expressive exterior.

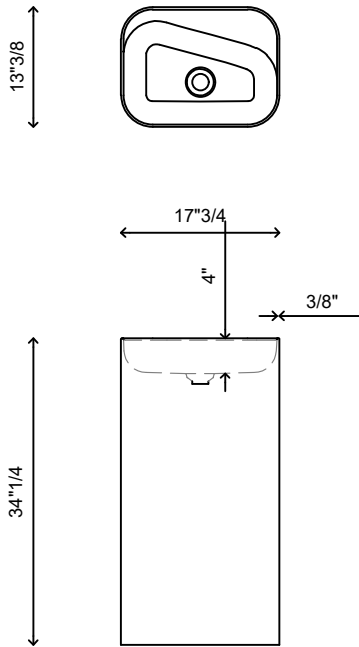
Finishes & Materials

Structure: Acrylic.
Cover drain: Acrylic.

ANCN 01

Dimensions

17"3/4W x 13"3/8D x 34"1/4H



Reference dimensions. You'll receive the installation instructions along with your order. For more information or if you have any questions, please contact us.

Cassoni LLC

701 Brickell Avenue, Suite 1550. Miami, FL 33131

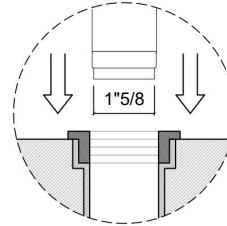
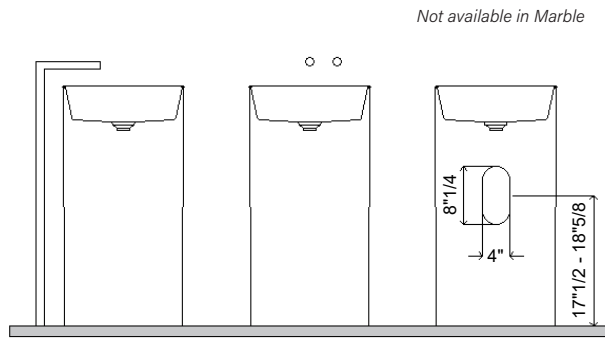
Tel: (305) 808 9590 Fax: (305) 808 9591

contact@cassoni.com

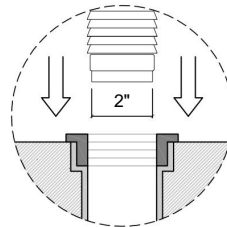
www.cassoni.com

ANCN 01

CONFIGURATION

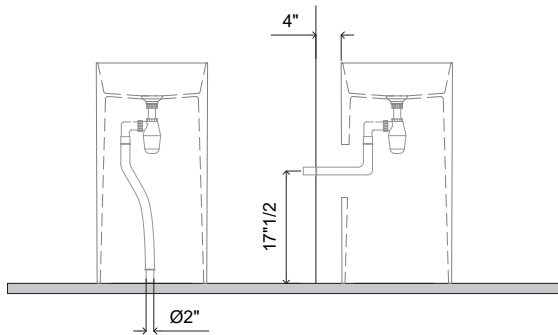


PRODUCT IN NORAHCRYSTAL
Prepare the floor drain for a 1 5/8 (40mm) tube



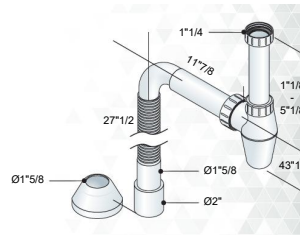
PRODUCT IN NORAHCRYL
Prepare the floor drain for a 2" (50mm) tube

Product in NORAHCRYL
Siphon in PP, 2" (50mm) drain tube



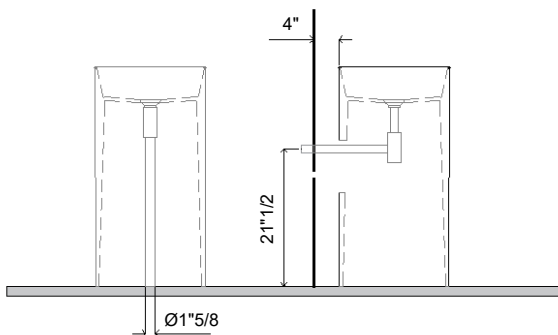
Floor drain version

Wall drain version



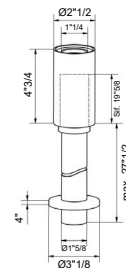
Siphon in PP

Product in NORAHCRYSTAL
Siphon in brass Ø1 5/8 (40mm) drain tube (floor version) / 1 1/4 (32mm) (wall drain)

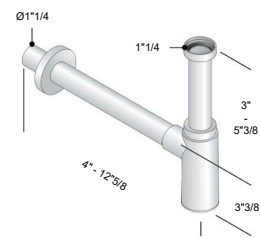


Floor drain version

Wall drain version



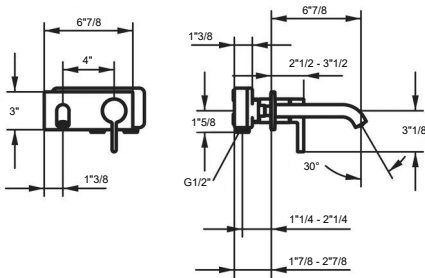
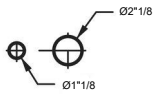
Siphon for floor drain in brass



Siphon for wall drain in brass

Reference dimensions. You'll receive the installation instructions along with your order. For more information or if you have any questions, please contact us.

ANCN 01

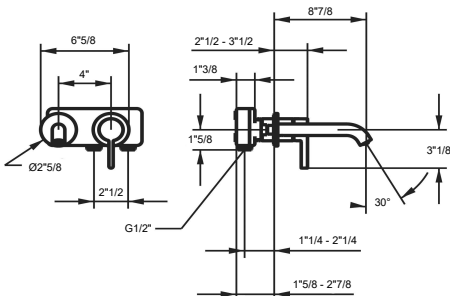
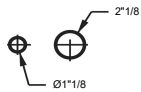


- * Trim kit Lever mixer
- * EcoProtect - water-saving device
- * Fixed spout
- Neoperl® Caché® CS, Coin Slot
- * OptimalSpace - ample space for washing or working
- * KWC cartridge M 35 H

- with ceramic discs
- flow rate and temperature continuously variable
- * To be ordered separately:
- Unit for concealed installation 1/2" 39.001.401.931
- * To be ordered separately (optional or if necessary):
- Extension set 20 mm Z.536.333

Technical Data

Flow rate	5 l/min (3 bar)
Spout	fixed
Diameter	173 x 74
Handling	front lever
Color code	chrome
Installation_type	Wall mounted
Faucet_typ	Lever mixer
G_Acoustic group	I
Concealed_unit	Trim kit
Projection_A	A 225
Energy Label	A
material	Brass



- * Trim kit Lever mixer
- * EcoProtect - water-saving device
- * Fixed spout
- Neoperl® Caché® CS, Coin Slot
- * OptimalSpace - ample space for washing or working
- * KWC cartridge M 35 H

- with ceramic discs
- flow rate and temperature continuously variable
- * To be ordered separately:
- Unit for concealed installation 1/2" 39.001.401.931
- * To be ordered separately (optional or if necessary):
- Extension set 20 mm Z.536.333

Technical Data

A_Spout_Spray	5 l/min (3 bar)
Connection	G 1/2"
Spout	fixe
Diameter	168 x 68
Handling	front lever
Color_code	chromeline
Installation_type	Wall mounted
Faucet_typ	Lever mixer
G_Acoustic group	I
Concealed_unit	Trim kit
Projection_A	A 225
Energy Label (CH)	A
Connection measure	Range CH curent
material	Brass