

ARBT 01

Design: Norah Creative Lab FM



Description

The ARBT 01 oval bathtub by Norah Design is an essential study in organic geometry, designed to bring a sense of natural, fluid elegance to the modern wellness space. Its elongated, elliptical silhouette offers a sophisticated departure from traditional linear forms, providing an enveloping and ergonomic bathing experience that anchors the room with soft, contemporary luxury.

Finishes & Materials

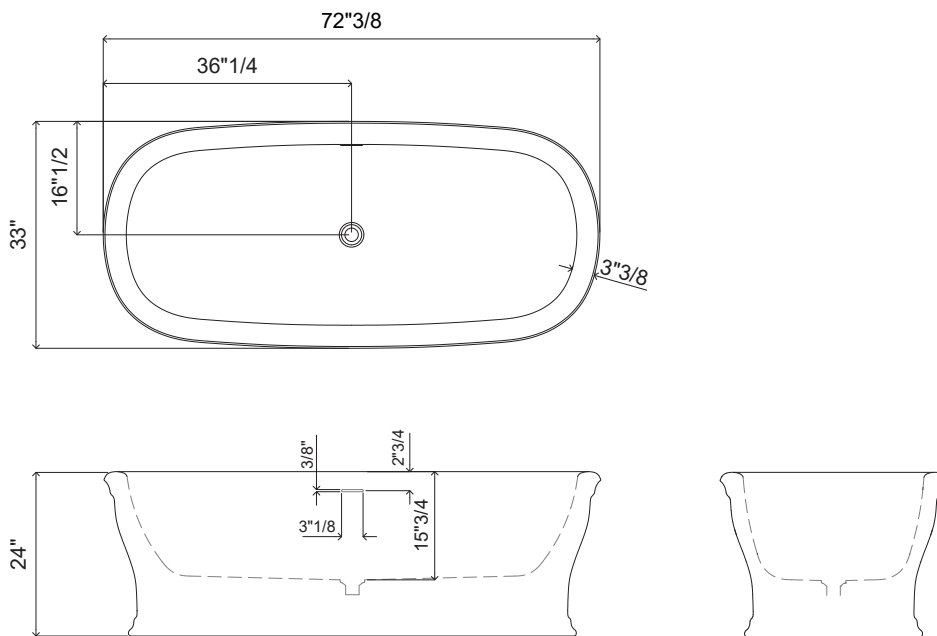
Structure: Acrylic.

Cover drain: Acrylic.

ARBT 01

Dimensions

72³/₈W x 33"D x 24"H

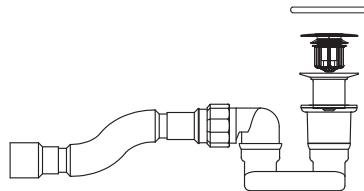
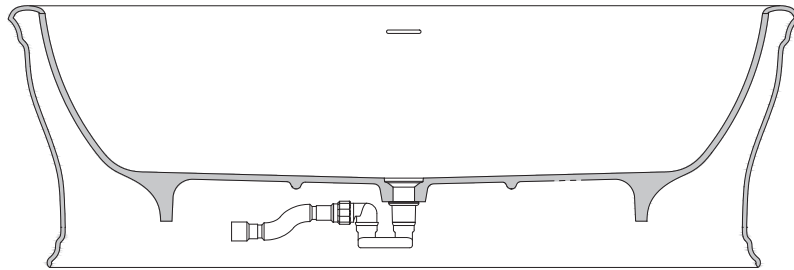
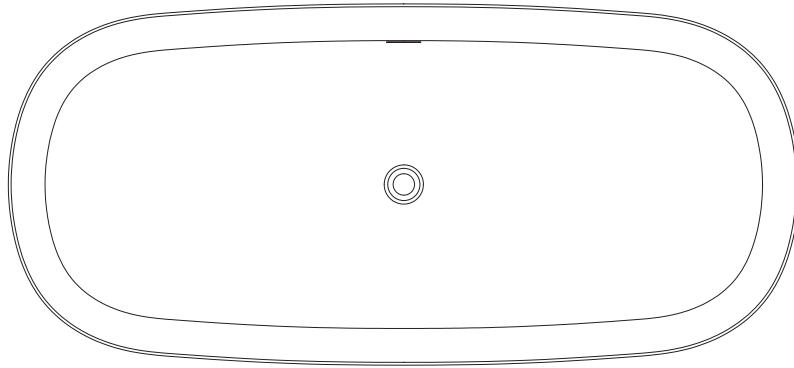


Reference dimensions. You'll receive the installation instructions along with your order. For more information or if you have any questions, please contact us.

Cassoni LLC

701 Brickell Avenue, Suite 1550. Miami, FL 33131 Tel: (305) 808 9590 Fax: (305) 808 9591 contact@cassoni.com www.cassoni.com

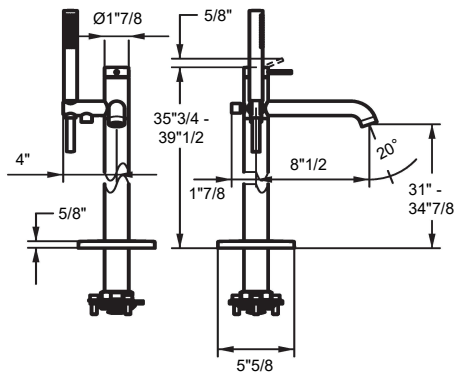
ARBT 01



Siphon and cover

Reference dimensions. You'll receive the installation instructions along with your order. For more information or if you have any questions, please contact us.

ARBT 01



- * Lever mixer
- * For freestanding tub
- * Integrated check valve in the hose outlet
- * with shower holder
- * Fixed spout
- Neoperl® SLIM®
- * KWC cartridge M 35 OP
- with ceramic discs

- flow rate and temperature continuously variable
- temperature limitation
- * Scope of delivery:
- Hand shower KWC FIT-X slim style 26.000.103.000
- Shower hose 1500 mm made of metal Z.538.415.000
- * To be ordered separately:
- Unit for concealed installation 39.000.602.931

Technical Data

A_Spout_Spray

22 l/min (3 bar)

A_Shower outlet

11.5 l/min (3 bar)

Spout

fixe

Shower_set

MIT_BRAUSE_SCHLAUCH

Handling

top lever

Color_code

chromeline

Installation_type

Freestanding

Faucet_type

Lever mixer

Measure_Height

908-1004

G_Acoustic group

II

G_Acoustic group_Shower outlet

I

Projection_A

A 215

Energy Label (CH)

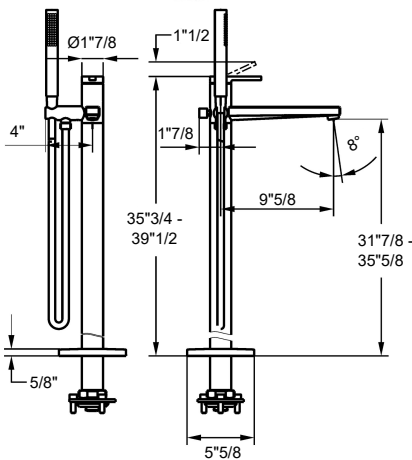
C

Dimension Water outlet

790-886

material

Brass



- * Lever mixer
- * For freestanding tub
- * Made of stainless steel
- * Integrated check valve in the hose outlet
- * with shower holder
- * Fixed spout
- Neoperl® SLIM®
- * KWC cartridge M 35 OP

- with ceramic discs
- flow rate and temperature continuously variable
- temperature limitation
- * Scope of delivery:
- Hand shower KWC FIT-X slim style 26.000.103.177
- Shower hose 1500 mm made of plastic 26.001.033.177
- * To be ordered separately:
- Unit for concealed installation 39.000.602.931

Technical Data

A_Spout_Spray

22 l/min (3 bar)

A_Shower outlet

11.5 l/min (3 bar)

Spout

fixe

Shower_set

fixe

Handling

top lever

Color_code

stainless steel

Installation_type

Freestanding

Faucet_type

Lever mixer

Measure_Height

927-1024

G_Acoustic group

II

G_Acoustic group_Shower outlet

I

Projection_A

A 245

Energy Label (CH)

C

Dimension Water outlet

806-902

material

stainless steel