

ARCN 01

Design: Norah Creative Lab FM



Description

The ARCN 01 round freestanding washbasin by Norah Design is a definitive architectural statement, designed to act as a radiant, monolithic anchor within the modern wellness space. Moving away from traditional materials, this pedestal sink utilizes its pure, cylindrical silhouette to showcase the extraordinary visual depth and prismatic qualities of the brand's most innovative crystalline materials.

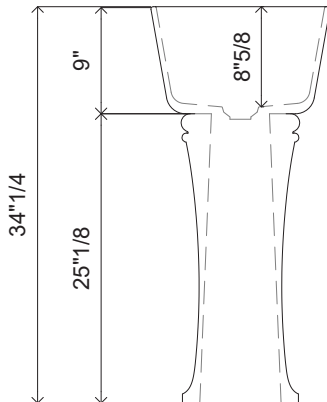
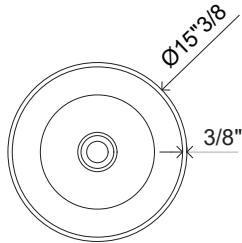
Finishes & Materials

Structure: Crystal.
Cover drain: Acrylic.

ARCN 01

Dimensions

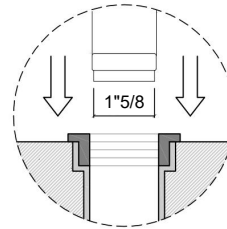
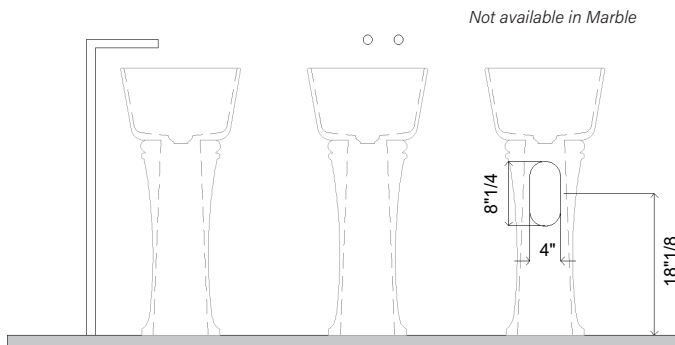
Ø15"3/8 x 34"1/4H



Reference dimensions. You'll receive the installation instructions along with your order. For more information or if you have any questions, please contact us.

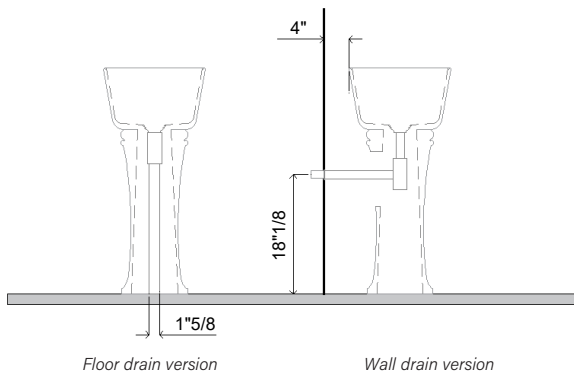
ARCN 01

CONFIGURATION



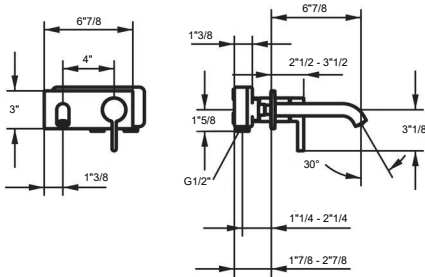
PRODUCT IN NORAHCRYL
Prepare the floor drain for a
1 5/8 (40mm) tube

Product in NORAHCRYL
Siphon in brass 1 5/8 (40mm) drain tube



Reference dimensions. You'll receive the installation instructions along with your order. For more information or if you have any questions, please contact us.

ARCN 01



- * Trim kit Lever mixer
- * EcoProtect - water-saving device
- * Fixed spout
- Neoperf® Caché® CS, Coin Slot
- * OptimalSpace - ample space for washing or working
- * KWC cartridge M 35 H

- with ceramic discs
- flow rate and temperature continuously variable
- * To be ordered separately:
- Unit for concealed installation 1/2" 39.001.401.931
- * To be ordered separately (optional or if necessary):
- Extension set 20 mm Z.536.333

Technical Data

Flow rate	5 l/min (3 bar)
Spout	fixed
Diameter	173 x 74
Handling	front lever
Color code	chrome
Installation_type	Wall mounted
Faucet_type	Lever mixer
G_Acoustic group	I
Concealed_unit	Trim kit
Projection_A	A 225
Energy Label	A
material	Brass