

CUCN 01

Design: Norah Creative Lab FM



Description

The CUCN 01 rectangular freestanding washbasin by Norah Design is an architectural statement of pure, linear geometry. Designed as a singular, floor-standing monolith, it moves beyond the traditional vanity to become a structural focal point within the modern wellness space. Its sharp, right-angled silhouette offers a sophisticated clarity that anchors the room with confident, contemporary elegance.

Finishes & Materials

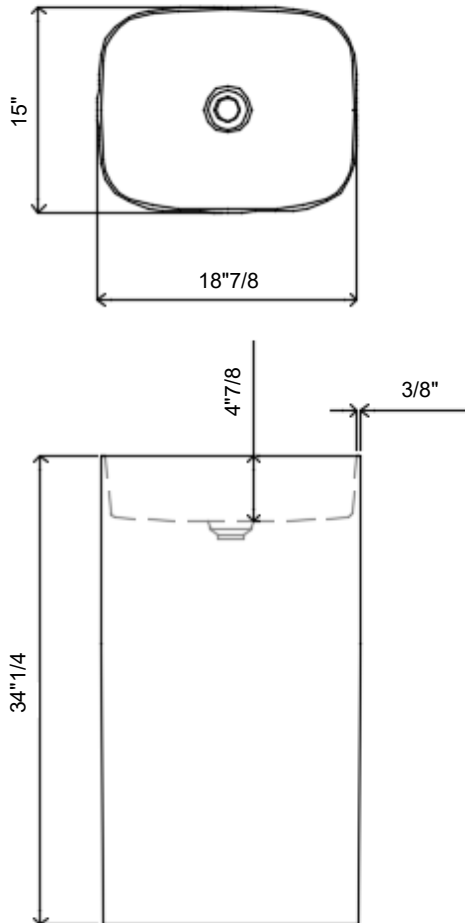
Structure: Acrylic.

Cover drain: Acrylic.

CUCN 01

Dimensions

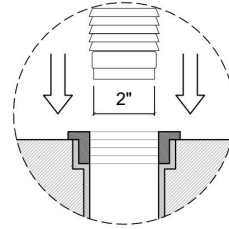
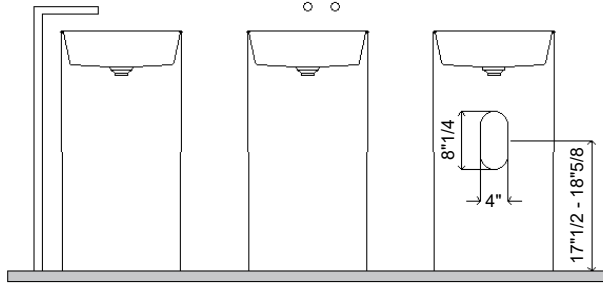
18"7/8W x 15"D x 34"1/4H



Reference dimensions. You'll receive the installation instructions along with your order. For more information or if you have any questions, please contact us.

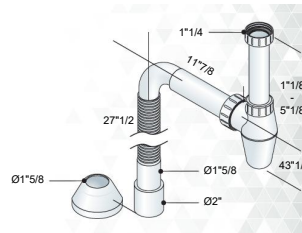
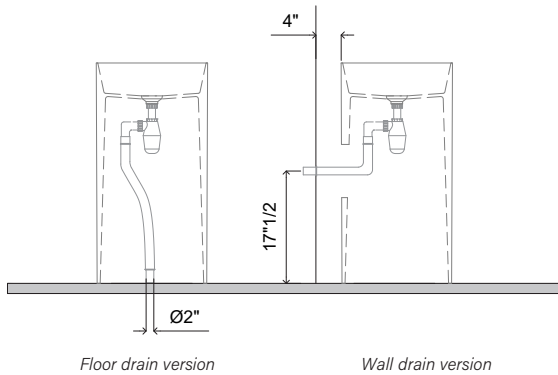
CUCN 01

CONFIGURATION



PRODUCT IN NORAHCRYL
Prepare the floor drain for a
2" (50mm) tube

Product in NORAHCRYL
Siphon in PP, 2" (50mm) drain tube



Siphon in PP

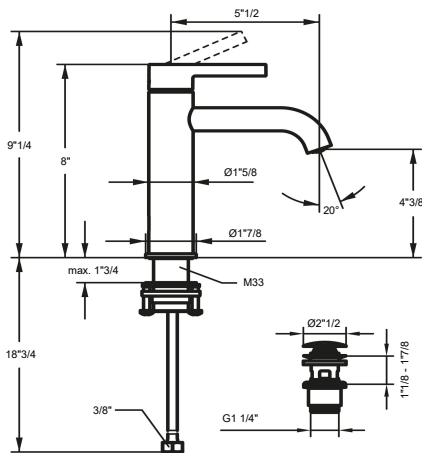
Reference dimensions. You'll receive the installation instructions along with your order. For more information or if you have any questions, please contact us.

CUCN 01



- * Lever mixer
- * EcoProtect - water-saving device
- * Fixed spout
- Neoperl® Caché® CS, Coin Slot
- * OptimalSpace - ample space for washing or working
- * KWC cartridge M 35 OP
- with ceramic discs
- flow rate and temperature continuously variable

- temperature limitation
- * Flexible connection hoses 3/8"
- * QuickInstallation - Fastening via threaded connection with locking screws
- * Mounting hole size ø35 mm
- * Scope of delivery:
- KWC pop-up valve Push Open 2 in 1 Z.540.049.700



Technical Data

A_Spout_Spray	5 l/min (3 bar)
Pop-up_valve	MIT PUSH_OPEN
Connection	Flexible connection hoses
Spout	fixe
Handling	top lever
Color_code	brushed steel
Installation_type	Pillar installation
Faucet_typ	Lever mixer
Measure_Height	201
G_Acoustic_group	I
Projection_A	A 140
Energy_Label_(CH)	A
Dimension_Water_outlet	112
material	Brass